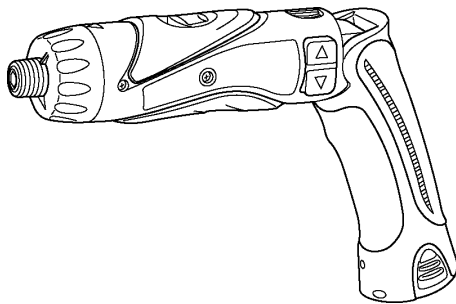


Service Manual

Cordless Drill & Driver

EY7410-X8



Please file and use this manual together with the service manual for Model No. EY6225, Order No. MEW/PTD 9902-62252.

SPECIFICATIONS

MAIN UNIT

Capacity	Screw driving	Machine Screw	M2.5 - M5
		Wood screw	φ 3.8 X 38 mm (5/32" X 1-29/64")
	Drilling	For metal	φ 5 mm (13/64") spc t=1.6mm
Motor			3.6V DC
No load speed		LOW	200/min (rpm)
		HIGH	600/min (rpm)
Maximum clutch torque			3.0 Nm (30 kgf-cm, 26 in-lbs)
Overall length			276 mm (10-55/64")
Weight (with battery pack)			0.5 kg (1.1 lbs)

WARNING

This service information is designed for experienced repair technicians only and is not designed for use by the general public. It does not contain warnings or cautions to advise non-technical individuals of potential dangers in attempting to service a product. Products powered by electricity should be serviced or repaired only by experienced professional technicians. Any attempt to service or repair the product or products dealt with in this service information by anyone else could result in serious injury or death.

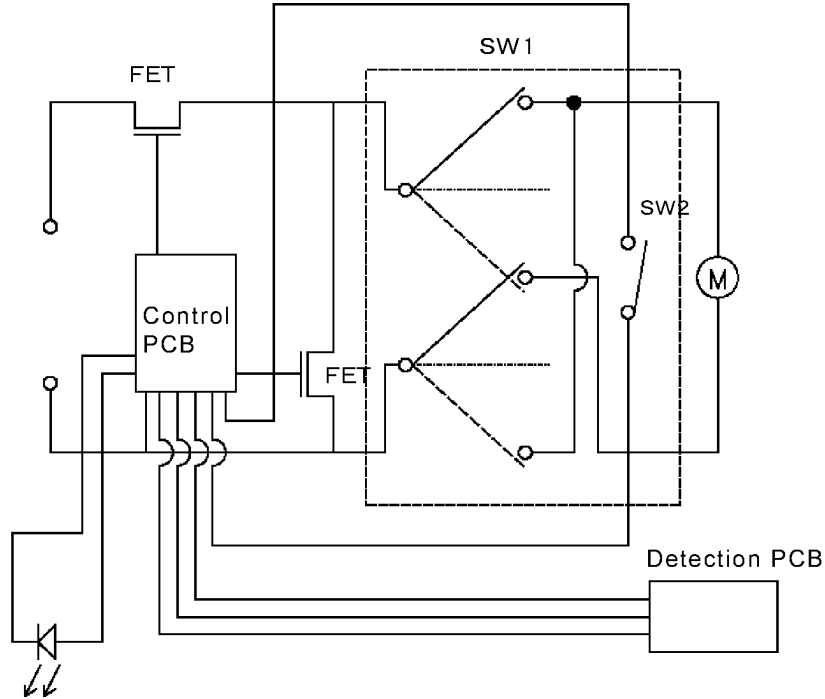
CONTENTS

	Page		Page
1 SCHEMATIC DIAGRAM	2	3 EXPLODED VIEW	3
2 WIRING CONNECTION DIAGRAM	2	4 REPLACEMENT PARTS LIST	4

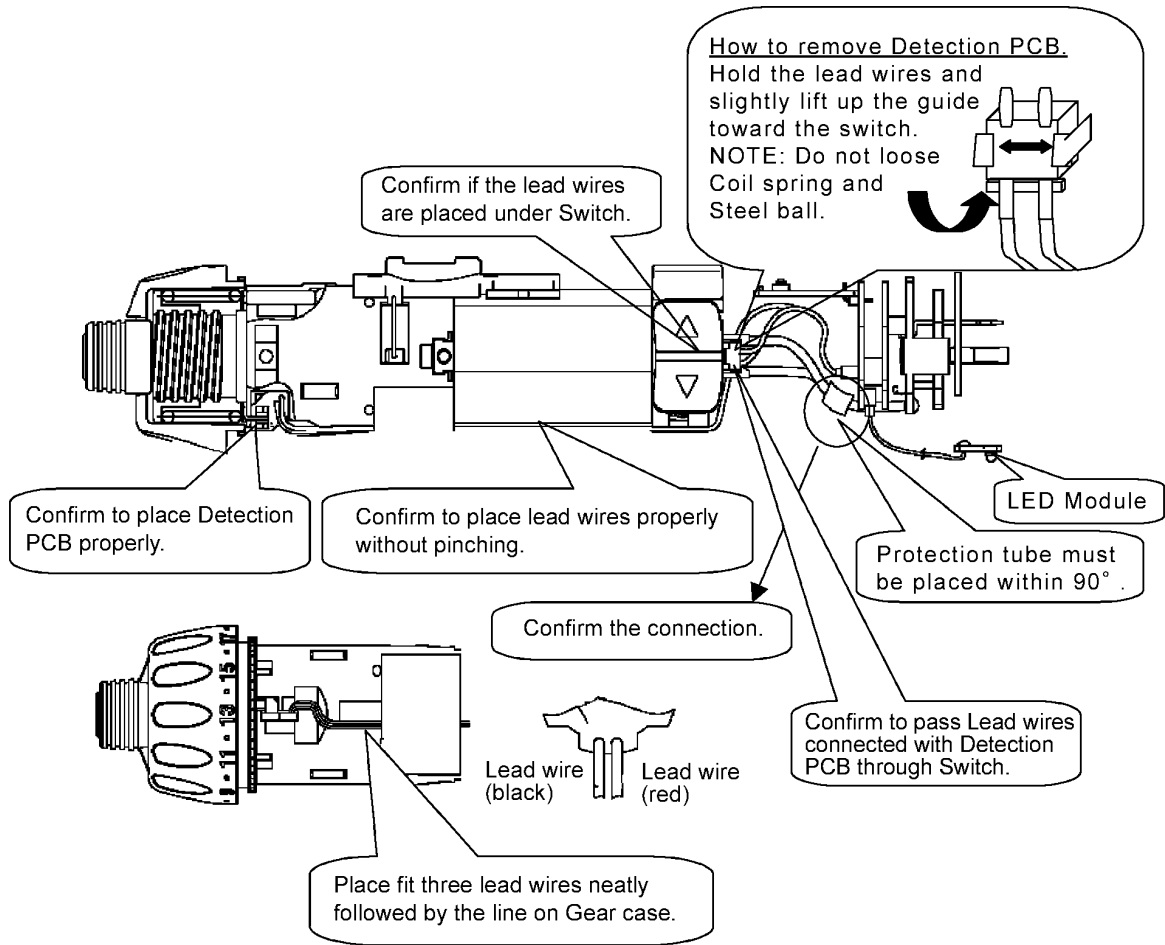


© 2006 Matsushita Electric Works, Ltd. All rights reserved. Unauthorized copying and distribution is a violation of law.

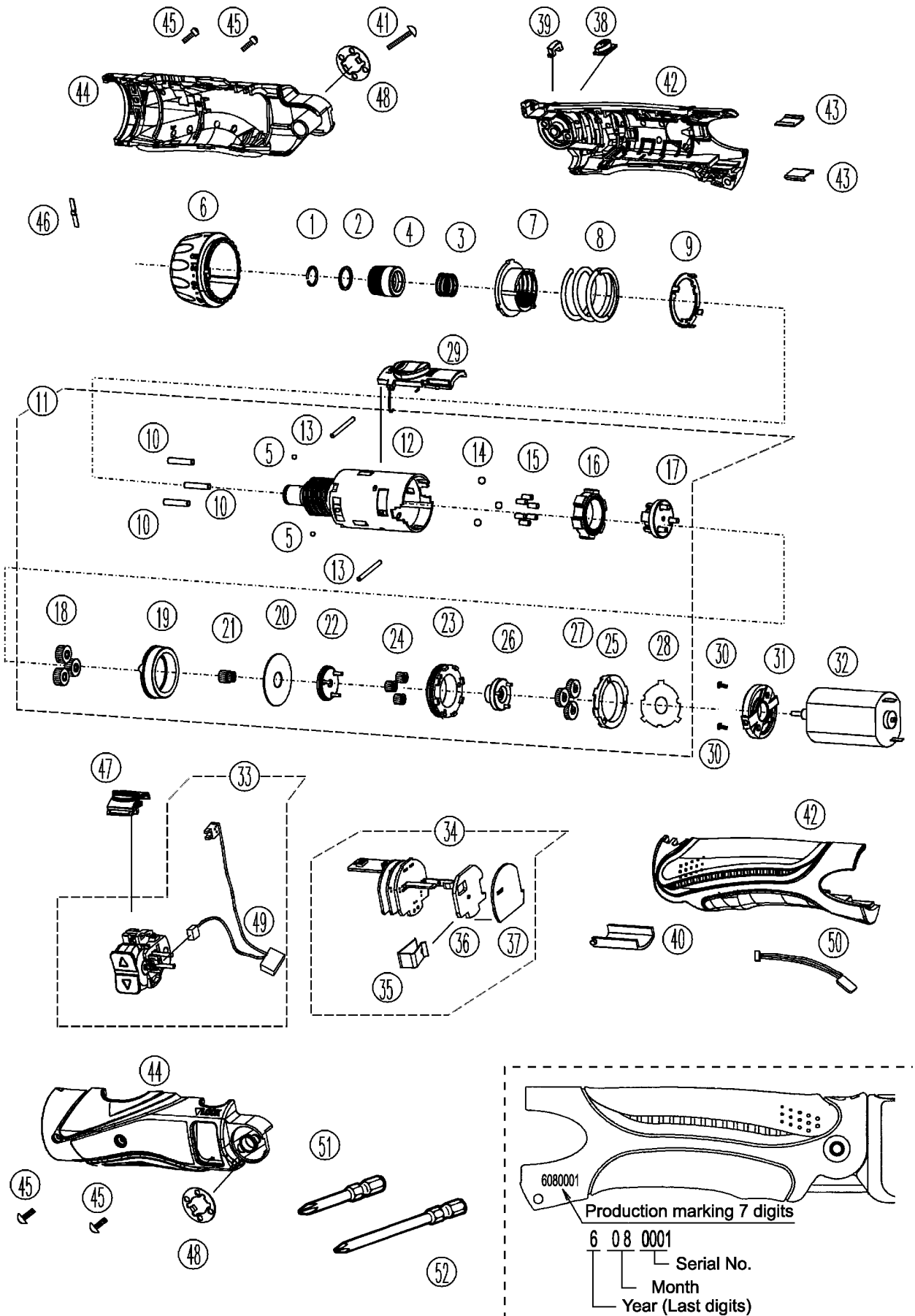
1 SCHEMATIC DIAGRAM



2 WIRING CONNECTION DIAGRAM



3 EXPLODED VIEW



4 REPLACEMENT PARTS LIST

NOTE:

*B=only available as set

*C=available individually

Ref. No.	Parts No.	Parts Name & Descriptions	Remarks	Per Unit
1	WEY7410K1167	C-TYPE SPRING		1
2	WEY7410L0867	THRUST PLATE		1
3	WEY7410L0927	SPRING FOR BIT		1
4	WEY7410K3717	BIT HOLDER		1
5	WEY503B1927	STEEL BALL	*B (2PCS/PK)	2
6	WEY7410K3227	CLUTCH HANDLE		1
7	WEY6225L0637	ADJUSTING SCREW		1
8	WEY6225L0167	CLUTCH SPRING		1
9	WEY6225L0847	CLUTCH PLATE		1
10	WEY6225L0397	PIN A	*B (3PCS/PK) ϕ 3*15.1	3
11	WEY7410L1087	GEAR BOX BLOCK		1
12	WEY7410L1807	GEAR CASE		1
13	WEY6225L0377	PIN C	*B (2PCS/PK) ϕ 2*22.8	2
14	WEY6225L6977	STEEL BALL	*B (3PCS/PK) ϕ 3.5	3
15	WEY6225L0387	PIN B	*B (6PCS/PK) ϕ 2.5*5.8	6
16	WEY7410L1507	LOCK RING		1
17	WEY6225L1147	CARRIER D		1
18	WEY6225L1347	PLANET GEAR C	*B (3PCS/PK)	3
19	WEY6225L1477	RING GEAR C		1
20	WEY6225L0857	THRUST PLATE		1
21	WEY6225L1117	CARRIER A		1
22	WEY6225L1127	CARRIER B		1
23	WEY6225L1487	RING GEAR A		1
24	WEY6225L1367	PLANET GEAR B	*B (3PCS/PK)	3
25	WEY6225L1497	RING GEAR B		1
26	WEY6225L1137	CARRIER C		1
27	WEY6225L1357	PLANET GEAR A	*B (3PCS/PK)	3
28	WEY502B0207	INTERNAL PRESSURE		1
29	WEY7410H3237	CHANGE-GEAR HANDLE		1
30	WEY6225L6027	SCREW	*C K3-5	2
31	WEY6225L0027	MOTOR MOUNTING BASE		1
32	WEY7410L1008	DC MOTOR		1
33	WEY7410K2007	SWITCH		1
34	WEY7410L2117	CONTROL PCB		1
35	WEY6225L0197	SPRING		1
36	WEY7410L2567	RADIATING PLATE		1
37	WEY7410L0207	TERMINAL BASE PLATE		1
38	WEY7410H3567	LED LIGHT ON/OFF BUTTON		1
39	WEY7410X3117	BATTERY LOW WARNING LAMP COVER		1
40	WEY7410H0877	HINGE COVER		1
41	WEY502B6217	TAPPING SCREW	M4-20	1
42	WEY7410K3937	GRIP AB SET		1
43	WEY6225L0157	FASTENING CLIP	*B (2PCS/PK)	2
44	WEY7410K3059	HOUSING AB SET	for EUROPE	1
44	WEY7410K3050	HOUSING AB SET	for OCEANIA	1
45	WEY6230L6017	TAPPING SCREW	*C 2.6*8	4
46	WEY6225L0177	CLICK SPRING		1
47	WEY7410H0397	LOCK LEVER		1
48	WEY502B0187	CLICK SPRING	*B (2PCS/PK)	2
49	WEY7410L2127	DETECTION PCB		1
50	WEY7410L2337	LED MODULE		1
51	WEY6225S7888	#1 PHILIPS BIT	L=50mm	1
52	WEY6225S7958	#2 PHILIPS BIT	L=50mm	1
-	WEY7410K7018	TOOL CASE	for LA2S	1
-	WEY7410K8008	INDIVIDUAL BOX	for LA1C	1
-	WEY7410K8109	OPERATING INSTRUCTIONS		1

**Battery Pack is available as an optional accessory. See the nearest sales dealer for details.

***For replacement parts of charger, see the charger service manual.

Charger complete set is available as an optional accessory. See the nearest sales dealer for details.