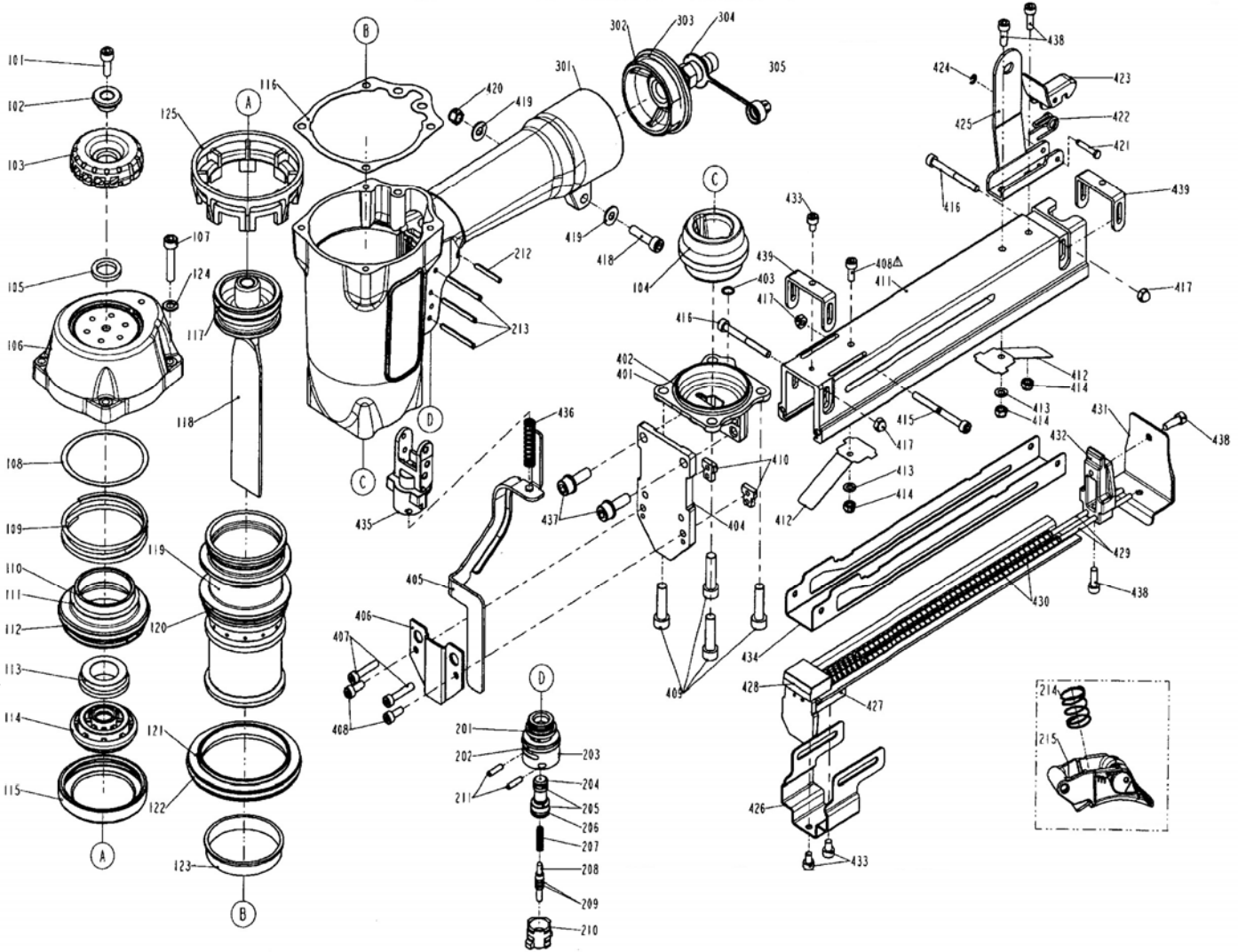


25/15 P1



Rep	Code	Français	English	Deutsch	Español	Romana
101	12B00221	vis chc	Hex. Soc HD Bolt	Schraube	Tornillo	Surub
102	12B00173	Entretoise	Washer	Abstandshalter	Tirante	Spacer
103	12B00380	défecteur	Deflector	Leitblech	Deflector	Deflector
104	12B01806	amortisseur	Bumper	Puffer	amortiguador	Amortizador
105	12B00174	Joint	Rubber pad	O-ring	Junta	Garnitura
106	12B01818	Tête	Cap	Deckel	Tapa	Capac
107	12B00780	vis chc	Hex. Soc HD Bolt	Schraube	Tornillo	Surub
108	12B00388	rondelle	Washer	Scheibe	Arandela	Saiba
109	12B00370	ressort	Compression spring	Scheibe	Arandela	Saiba
110	12B01220	valve	HD valve piston	Ventil	Valvula	Valva
111	12B00414	Joint	O-ring	O-ring	Junta	Garnitura
112	12B00407	Joint	O-ring	O-ring	Junta	Garnitura
113	12B00353	joint plat	Seal gasket	O-ring	Junta	Garnitura
114	12B00379	joint	Seal	O-ring	Junta	Garnitura
115	12B00393	Bague	Collar	Ring	Manguito	Inel
116	12B00345	Joint de tête	Packing	O-ring	Junta	Garnitura
117	12B00412	Joint	O-ring	O-ring	Junta	Garnitura
118	12B01796	Piston	Driver unit	Kolben	Piston	Piston
119	12B01802	Cylindre	Cylinder	Zylinder	cilindro	Cilindru
120	12B00722	Joint	O-ring	O-ring	Junta	Garnitura
121	12B01803	bague de cylindre	Cylinder spacer	Zylinder Ring	Manguito de cilindro	Inel de cilindru
122	12B01831	Joint	O-ring	O-ring	Junta	Garnitura
123	12B01793	Joint de retour	Cylinder ring	O-ring	Junta	Garnitura
124	12B01830	rondelle plate	Flat washer	Scheibe	Arandela	Saiba
125	12B00336	bague de cylindre	Cylinder press ring	Zylinder Ring	Manguito de cilindro	Inel de cilindru
201	12B00324	joint	O-ring	O-ring	Junta	Garnitura
202	12B01522	Joint	O-ring	O-ring	Junta	Garnitura
203	12B01791	Couvercle	Plunger cap	Deckel	tapadera	Capac
204	12B01794	Servo commande	Valve plunger	Ventil	Cabeza de la valvula	Cap de valva
205	12B00212	joint	O-ring	O-ring	Junta	Garnitura

206	12B00209	joint	O-ring	O-ring	Junta	Garnitura
207	12B01795	Ressort	Spring	Feder	Muelle	Arc
208	12B01790	tige de servo cmde	Plunger	Sauger	Ventosa	Ventuzza
209	12B00086	Joint	O-ring	O-ring	Junta	Garnitura
210	12B01789	Servo commande	Trigger valve head	Ventil	Cabeza de la valvula	Cap de valva
211	12B00139	Ressort	Spring	Feder	Muelle	Arc
212	12B00016	Goupille	Pin	Stift	Clavija	Zavor
213	12B01524	Goupille	Pin	Stift	Clavija	Zavor
214	12B00384	Ressort	Spring	Feder	Muelle	Arc
215	12B00326	Gâchette	Trigger unit	Drücker	Gatillo	Opritor
301	12B01797	corps	Gun body unit	Gehäuse	Cuerpo	Corp
302	12B01792	Couvercle	End cap	Deckel	tapadera	Capac
303	12B00218	Joint	O-ring	O-ring	Junta	Garnitura
304	12B01821	protection plastique	Dusty cover	Kunststoffschrürze	Proteccion plastico	Protectile
305	12B00019	raccord	Air plug	Anschluss	Empalme	Racord
401	12B01805	base	Base	Base	Base	Baza
402	12B00754	Joint	O-ring	O-ring	Junta	Garnitura
403	12B00419	Joint	O-ring	O-ring	Junta	Garnitura
404	12B01815	Plaque avant	Drive guide cover	schaltlatt	placa	placa
405	12B01807	Sécurité A	Safety A	Sicherungeinheit	Unidad de seguridad	Sigurante
406	12B01808	plaque avant	Relief plate	schaltlatt	placa	placa
407	12B01824	vis chc	Hex soc hd Bolt	Schraube	Tornillo	Surub
408	12B01823	vis chc	Hex soc hd bolt	Schraube	Tornillo	Surub
409	12B01223	vis	Hex soc hd Bolt	Schraube	Tornillo	Surub
410	12B01801	porte chargeur	Positionning sheet	Support	Soporte	Echer
411	12B01819	magasin	Magazine B	Magazin B	Recàmara	Magazie B
412	12B01814	Ressort	Spring	Schraube	Tornillo	Surub
413	12B01829	rondelle plate	Flat washer	Scheibe	Arandela	Saiba
414	12B00048	Ecrou	Lock nut	Mutter	Tuerca	Piulita
415	12B01825	vis chc	Hex soc hd Bolt	Schraube	Tornillo	Surub
416	12B01826	vis chc	Hex soc hd Bolt	Schraube	Tornillo	Surub
417	12B01828		Unt			
418	12B01175	vis	Hex soc hd Bolt	Schraube	Tornillo	Surub
419	12B01827	rondelle plate	Flat washer	Scheibe	Arandela	Saiba
420	12B00078	écrou	Lock nut	Mutter	Tuerca	Piulita
421	12B00076	loquet	Latch pin	locquet	Picaporte	Clips
422	12B01187	Ressort	Spring	Feder	Muelle	Arc
423	12B01812	Goupille	Pin	Stift	Clavija	Zavor
424	12B00072	circlips	circlips	Sicherungsring	Tuerca	Piulita
425	12B01804	support	Support	Support	Soporte	Echer
426	12B01810	Arrêt	Shaft	Stoppen	Parada	Opritor
427	12B01798	Magasin	Magazine	Magazin	Almacen	Magazie
428	12B01816	levier	Lever	Hebel	Palanca	Impagatot
429	12B01820	baguette	Stick	Zierleiste	Varilla	bagueta
430	12B01817	Ressort	Pusher spring	Feder	Muelle	Arc
431	12B01813	socle	Rear plate	sockel	Zocalò	Bazà
432	12B01811	Arrêt	STOPPER	Stoppen	Parada	Opritor
433	12B01822	vis chc	Hex soc hd Bolt	Schraube	Tornillo	Surub
434	12B01799	Arrêt	Stopper	Stoppen	Parada	Opritor
435	12B00349	guide sécurité	Safety guide	Sicherheitfuhung	Guia de seguridad	Guidaj de sigurante
436	12B01809	Ressort sécurité	Safety spring	Feder	Muelle	Arc
437	12B01152	kit vis	Bolt assy	Schraube set	Tornillo kit	clips
438	12B01661	vis chc	Hex soc hd Bolt	Schraube	Tornillo	Surub
439	12B01800	Arrêt	Stopper	Stoppen	Parada	Opritor