

» PERFECTPRO

WORKSTATION

INSTRUCTION MANUAL **GB**
GEBRUIKSAANWIJZING **NL**
BENUTZERHANDBUCH **DE**
MODE D'EMPLOI **FR**



CONTENT

IMPORTANT GENERAL SAFETY INSTRUCTIONS	2
CONTROLS	3
POWER SUPPLY	4
GENERAL FUNCTIONS	7
USING THE RADIO FOR THE FIRST TIME	8
DAB MODE	9
FM MODE	11
PRESET STATIONS	13
BLUETOOTH MODE	14
USB MODE	16
CHARGING A MOBILE PHONE	18
AUX IN MODE	18
MANUALLY SETTING CLOCK	19
LOUDNESS	19
TONE	20
LANGUAGE SETTING	20
SOFTWARE VERSION	21
SYSTEM RESET	21
BACKLIGHT	22
WARRANTY	23
INFORMATION	23

WARNING ! WARRANTY BECOMES VOID ONCE THE DEVICE CABINET HAS BEEN OPENED OR ANY MODIFICATIONS OR ALTERATIONS TO THE ORIGINAL DEVICE HAVE BEEN MADE



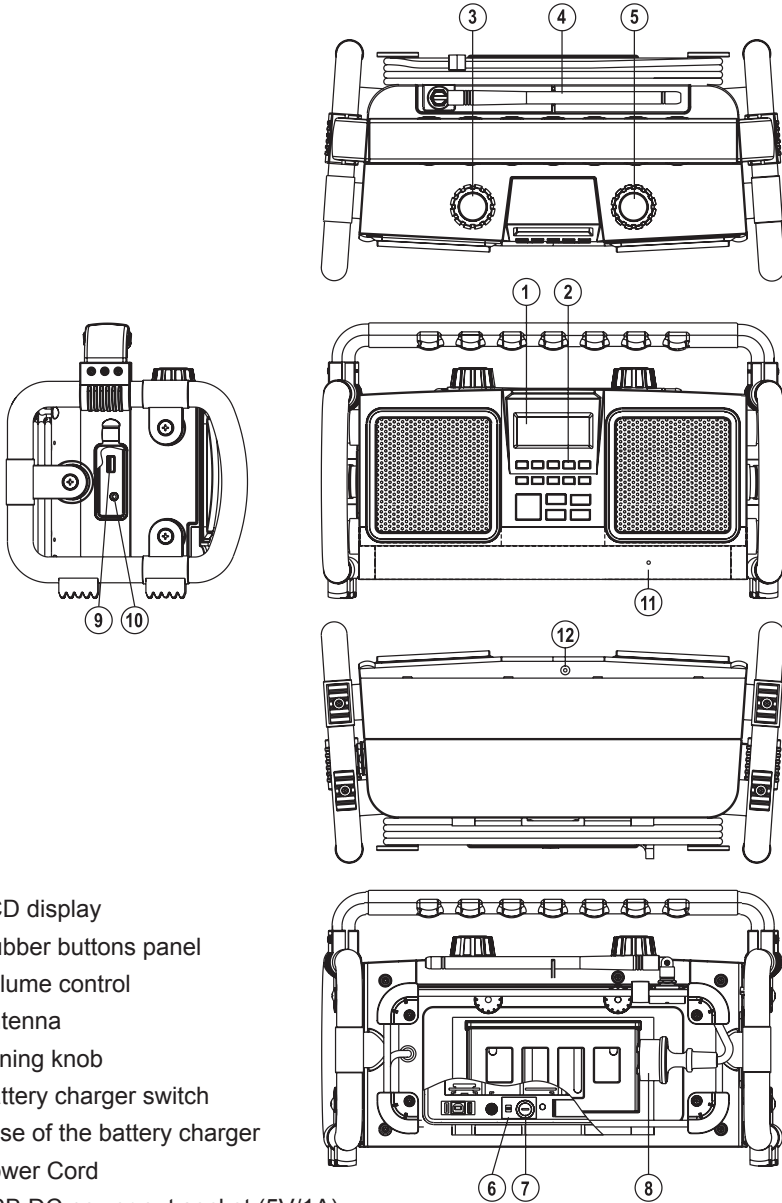
IMPORTANT GENERAL SAFETY INSTRUCTIONS

1. Read these instructions.
2. Keep these instructions.
3. Heed all warnings.
4. Follow all instructions.
5. Clean only with dry cloth.
6. Do not block any ventilation openings. Install in accordance with the instructions.
7. Do not install near any heat sources such as radiators, heat registers, stoves or other apparatus (including amplifiers) that produce heat.
8. Do not defect the safety purpose of the polarized or grounding – type plug. A polarized plug has two blades with one wider than the other. A grounding type plug has two blades and a third grounding prong. The wide blade or the third prong is provided for your safety. If the provided plug does not fit into your outlet, consult an electrician for replacement of the obsolete outlet.
9. Protect the power cord from being walked on or pinched particularly at plug, convenience receptacles, and the point where they exit from the apparatus.
10. Only use attachments/accessories specified by the manufacturer.
11. Use only with the cart, stand, tripod, bracket, or table specified by the manufacturer, or sold with the apparatus. When a cart is used, use caution when moving the cart/ apparatus combination to avoid injury from tip-over.
12. Unplug this apparatus during lightning storms or when unused for long periods of time.
13. Refer all servicing to qualified service personnel. Servicing is required if the apparatus has been damaged in any, such as power-supply cord or plug is damaged, liquid has been spilled or objects have fallen into the apparatus, the apparatus has been exposed to rain or moisture, does not operate normally, or has been dropped.
14. To reduce the risk of fire or electric shock, do not expose this appliance to rain or moisture.
15. Do not remove the cover; there are no user-serviceable parts inside.
16. No naked flame sources shall be placed on the apparatus.
17. For outdoors use, to avoid electric shock, use battery only during a raining day or the weather is wet. To prevent electric shock, if the radio has been exposed to rain or water, the power supply cord and plug must be completely dried before plugging into the mains socket outlet.
18. The power plug should be close to the apparatus, and easy to be approached that during emergency, to disconnect the power from the apparatus, just unplug the power plug from the AC power slot.
19. The marking information is located at the bottom of the apparatus.
20. This apparatus is provided with protection against splashing water (IP65).
21. In case of malfunction due to electrostatic discharge or fast transient (burst), remove and reconnect the power supply.
22. To prevent possible hearing damage, do not listen at high volume levels for long periods.



23. The apparatus must be used in a moderate climate.

CONTROLS



1. LCD display
2. Rubber buttons panel
3. Volume control
4. Antenna
5. Tuning knob
6. Battery charger switch
7. Fuse of the battery charger
8. Power Cord
9. USB DC power out socket (5V/1A)
10. Aux-in socket
11. Bluetooth connected LED light
12. Microphone

POWER SUPPLY

AC operation

- Before plugging the AC power cord into the AC socket, make sure the voltage is correct and the **Battery charger switch** is set correctly: **ALKALINE** when using no batteries or Alkaline batteries / **CHARGE NiMH ON** when using NiMH rechargeable batteries.
- If you use Alkaline batteries in the radio and the **Battery charger switch** is on **ALKALINE**, the batteries will be disconnected automatically when using AC power supply.
- If you use rechargeable NiMH batteries in the radio and the **Battery charger switch** is on **CHARGE NiMH ON**, the NiMH batteries will be charged automatically when using AC power supply.
- AC power cord and plug storage is designed to store the cord and plug when the radio is not in use or playing on batteries.

Note:

In order to disconnect the unit from the AC mains completely, the AC power cord should be removed from the mains socket completely. The AC power cord shall remain readily operable and should not be obstructed during intended use.

In case of malfunction due to electrostatic discharge or fast transient (burst), remove the power supply and all the batteries then reinstall the batteries and reconnect the power supply.

GB

Battery operation

1. To open the battery compartment, first turn the battery cover fixtures counter clockwise to loosen and pull down the battery cover.
2. This unit can be operated with either Alkaline batteries (6 x 1,5V type IEC LR20 / UM-1 / D-size) or NiMH rechargeable batteries (6 x 1,2V PerfectPro Rechargeable Accu, D size HR20 / 8000mAh). Set the **Battery charger switch** in the battery compartment according to the battery type to be used (**ALKALINE or CHARGE NiMH ON**).
3. Insert the batteries with correct polarity as indicated in the battery compartment (+ and -). Close the battery cover and fasten the fixtures by turning clockwise. Close well to prevent moist or dust from entering the compartment.
4. If the unit is not to be used for an extended period of time, it is recommended that the batteries are removed from the radio.

The approximate power level of the batteries is displayed in the LCD display of the radio. When the power level is very low, the indication "Battery Low!" appears and the battery symbol flashes on the display. The batteries should then be recharged or replaced soon to continue normal operation of the radio.

When the rechargeable NiMH batteries are being charged. The battery symbol in the LCD display will animate. The charging and animation will stop automatically when the batteries are full.

Back-up batteries (2 x AA)

Back-up batteries are used to back up the time memory when no 6 x D battery power is used. It is necessary to insert back up batteries (2 x AA size / UM-3) for time memory back up if you use AC power supply only. Without the back up batteries time memory will be lost if you remove the AC power cord from AC socket or during power failure. The back up batteries will not be charged and should be replaced after 1 year.

Replacing the fuse of the Battery Charger

The battery charger uses a fuse as a safety device, which protects the radio from over current or excessive surging during the charging process. The fuse will blow if something goes wrong with the charger or the battery (for example, if the battery has been damaged). In case the charger refuses to charge the battery or the radio becomes inoperative with batteries, you should check and replace the battery and/or the fuse.

1. Turn off the radio and unplug the AC power cord from the mains power socket.
2. To open the battery compartment, turn the battery cover fixtures counter clockwise to loosen and pull down the battery cover.
3. Check the batteries carefully and make sure all of them are installed with correct polarity (+ and -) and replace the batteries if there is any damage. Refer to the section of "IMPORTANT INFORMATION ON CHARGING AND USING RECHARGEABLE BATTERIES" for more detailed advises.
4. Locate the fuse holder in the battery compartment. The cover of the fuse holder has the word "FUSE" on it.
5. To remove the fuse cover, use a slot head screwdriver and turn the screwdriver counter clockwise while pressing down the fuse cover. The fuse cover should be turned only when it is pressed down. Do not use too much force when turning the fuse cover as this can cause damage.
6. Replace the blown fuse with an identical new one. The fuse rating is printed beside the fuse holder (T4AL 250V). Do not use fuse of any other type.
7. Replace the fuse cover using a slot head screwdriver. Turn the screwdriver clockwise carefully while pressing down the fuse cover.

Note:

- If the new fuse blows again as soon as the radio is connected to AC power or when you start using the radio, it indicates a problem with either the radio or the battery. Have them checked at a dealer or qualified service person.
- The fuse also protects Alkaline batteries from over current.

Warning:

Danger of explosion if a battery is incorrectly replaced. Replace only with the same or equivalent type.

Always make sure the Battery charger switch is set to the correct position.

An Alkaline battery is not rechargeable. Never attempt charging Alkaline batteries.

Do not mix up different battery types.

Do not mix up charged and uncharged batteries.

Do not expose the batteries to excessive heat such as sunshine, fire or the like.

Batteries should not be disposed of by incineration and with household waste.

Disposable batteries should be taken to a suitable recycling centre if possible.

IMPORTANT INFORMATION ON CHARGING AND USING RECHARGEABLE BATTERIES

1. **Recharge the batteries in any case at least every 2 months.**
2. Make sure the Battery charger switch next the battery compartment is set to the **“CHARGE NiMH ON”** position.
3. **Put the batteries in the compartment whilst paying attention to the correct polarity of the batteries (+ and -).**
4. **First use: Charge new batteries in one continuous, uninterrupted, charge until they are full.** This first charge may take longer than normal. For longer battery life it is advised to always recharge in one continuous, uninterrupted charge until batteries are full and to not recharge again whilst the batteries are still full.
5. New batteries will only reach their full capacity after some time of use (several charge – discharge cycles).
6. Leave the complete group of batteries in place inside the radio and do not use these batteries or a few of them for other purposes. This will result in a mix of (fully) charged and (partly) empty batteries. This can seriously damage the batteries and radio when recharged.
7. It is advised to only charge batteries at room temperatures between 5 degrees C – 35 degrees C. In lower or higher temperatures full charge cannot be achieved.

8. Depending on the capacity of the batteries, charging from “empty” to “full” can take several hours, even up to 10 hours or more.
9. Do not charge batteries when the radio is hot or exposed to heat or heat sources.
10. It is advised to clean the metal contacts of the batteries and of the charger inside the radio e.g. with a contact-spray from time to time.
11. Do not use a mix of old and new rechargeable batteries.
12. Do not use a mix of rechargeable and non-rechargeable batteries.
13. Do not use a mix of full and empty rechargeable batteries.
14. Do not use batteries that have a different mAh capacity.
15. Do not use damaged, deformed or leaking batteries.
16. Battery level indication is an approximate indication only and can vary with battery type used.
17. Batteries can become hot during charging.
18. In cold conditions the capacity of batteries will be much lower than when used at normal room temperature
19. Batteries (even when supplied with the radio), as being consumables, do not fall under the warranty conditions of the radio.
20. It is advised to use Perfectpro rechargeable batteries as the radio and its charger were developed for use with these batteries.
21. Always disconnect from mains power before installing the batteries.

GENERAL FUNCTIONS

1. **Switching on and off**
Press the **On/Off button** to turn the radio on or in standby.
2. **Switching among DAB / FM / Bluetooth / AUX IN modes**
Press the **Source button** to switch between modes.
3. **Tuning the Radio**
Tune the radio using the **Tuning knob** on the right.
4. **Adjusting the Volume**
Adjust the volume with the **Volume knob** on the left.
5. **Adjusting the Tone**
Press the **Volume knob** on the left and rotate it to adjust the Bass and Treble.
6. **Selecting Stereo or Mono mode (in FM mode only)**
Press the **Mono/Stereo button** to switch between FM Mono or FM Stereo.

7. **Pairing the Bluetooth with your mobile phone**
Select the device “Workstation” in the Bluetooth setting screen of the mobile phone.
8. **Playing music from your mobile phone in Bluetooth mode**
Use the media players in the mobile phone.
9. **Playing music stored in a paired mobile phone from the Workstation radio in Bluetooth mode**
Press the ►||, ►►I and I◄◄ buttons (preset buttons 3, 4 and 5).
10. **Answering an incoming phone call from the Workstation radio**
Press the Tuning knob (Phone icon) on the right to pick up and hang up the phone call.
11. **Redialing the last out going phone call in Bluetooth mode**
Press and hold the Tuning knob (Phone icon) on the right for more than 2 seconds.
12. **Charging a mobile phone from the Workstation radio**
Connect the mobile phone to the USB socket on the left side with an appropriate cable (not included with the radio).

USING THE RADIO FOR THE FIRST TIME

1. Place the radio on a flat surface.
2. Carefully extend the antenna located on the top of the radio. Adjust the antenna so it is vertically extending above the radio.
3. Plug the AC power cord into the AC socket. The radio will start up and the display will show “WELCOME TO DIGITAL RADIO” for a few seconds. Then the radio will automatically perform an auto scan of the Band III DAB channels and the FM band. The display will show “Scanning” in DAB and “Auto” in FM.
4. When the scan is completed, the 10 strongest FM stations will be stored as presets and the available DAB stations will be in the list of stations. The radio will switch to standby with the updated clock and date showing on the display.
5. If no signals are found, the clock will not be updated. It may be necessary to relocate the radio to a position with better reception.

DAB MODE (DAB – DAB+)

Operating the radio – DAB

1. Carefully extend the antenna. Press the **On/Off button** to switch on the radio.
2. Select the DAB waveband by pressing the **Source button**.
3. The first station in the list of stations found will be played. The display will show the station name. If the radio has been used before, the last used station will be selected.
4. If no DAB signals are detected, “No stations available” will be displayed. It may be necessary to relocate the radio to a position with better reception. You should then carry out an auto scan to find stations, please refer to the section “**Finding new stations - DAB**”.

Selecting a station – DAB

1. Press the **On/Off button** to switch on the radio.
2. Select the DAB waveband by pressing the **Source button**.
3. The display will show “Connecting” for a few seconds.
4. The display shows the name of the radio station currently selected.
5. Rotate the **Tuning knob** to scroll through the list of available stations.
6. When the desired station name appears on the display, press the **Tuning knob** to select the station.

Note: If after selecting a station the display shows “No stations available”, it may be necessary to relocate the radio to a position with better reception.

Display modes – DAB

In DAB mode, the radio can display a range of information on the display. Press the **Info button** to cycle through the various modes.

- | | |
|----------------------------|---|
| a. Scrolling text | Displays scrolling text message e.g. station information, artist/track name, phone-in number, etc. |
| b. Signal strength | Displays the signal strength of radio reception. The clear unfilled rectangle indicates minimum signal level required for satisfactory reception. |
| c. Program type | Displays the type of station being listened to e.g. Pop, Classic, News, etc. |
| d. Multiplex name | Displays the name of multiplex to which the current station belongs. |
| e. Channel & frequency | Displays the channel number and frequency for the currently tuned DAB station. |
| f. Bit rate & audio format | Displays the digital audio bit rate and audio format. |
| g. Time & date | Displays the current time and date. |

Finding new stations – DAB

From time to time, new stations may become available. You may proceed to find new stations as follows:

1. In DAB mode, press the **Menu button**, “Full scan” shows on the display.
2. Press the **Tuning knob**, the radio will perform a scan of the Band III DAB channels. As new stations are found, the station counter on the right-hand side of the display will increase and new radio stations found will be added to the list stored in the radio.

Manual Tuning – DAB

Manual tuning is an alternative method of finding new stations. Instead of scanning the entire Band III channels automatically, you may tune the radio directly to a known DAB channel and store all the multiplex in that channel into the available station list.

1. In DAB mode, press the **Menu button** and rotate the **Tuning knob** until the LCD display shows “Manual Tune”, then press the **Tuning knob**. The display will show DAB channel and Frequency.
2. Rotate the **Tuning knob** to select the desired channel or Frequency and press the **Tuning knob** to tune to the chosen frequency.
3. When DAB stations in the tuned channel are found, the display will show the name of the station. Any new radio stations found will be added to the list stored in the radio.
4. The signal strength display shows the reception of the station. The clear unfilled rectangle indicates minimum signal level required for satisfactory reception. The signal strength bars will go up or down showing the changing signal strength as you adjust the antenna or the position of the radio.
5. Repeat step 1 to 4 for other channels with new stations.
6. Press the **Menu button** twice to exit manual tuning and return to normal DAB operation.

GB

Dynamic Range Control (DRC) settings – DAB

DRC can make quieter sounds easier to hear when your radio is used in a noisy environment.

1. In DAB mode, press the **Menu button** and rotate the **Tuning knob** until “DRC value” appears on the display, press the **Tuning knob**.
2. Rotate the **Tuning knob** to select required DRC setting (default is OFF).
DRC off DRC is switched off, broadcast DRC will be ignored.
DRC high DRC is set as sent by broadcaster.
DRC low DRC level is set to 1/2 that sent by broadcaster.
3. Press the **Tuning knob** to confirm the setting. The display will return to normal radio display.

Note: Not all DAB broadcasts are able to use the DRC function. If the broadcast does not support DRC, then the DRC setting in the radio will have no effect.

Prune stations – DAB

If you move to a different part of the country, some of the stations that were listed may no longer be available. Also, from time to time, some DAB services may stop broadcasting, or may change location or frequency. The Prune stations function will delete the unavailable DAB stations from your station list.

1. In DAB mode, press the **Menu button**.
2. Rotate the **Tuning knob** until the display shows “Prune”.
3. Press the **Tuning knob** to enter the setting.
4. Rotate the **Tuning knob** to select between “Yes” or “No” (default is No). Select “Yes” to enable this function if required, otherwise, select “No”.
5. Press the **Tuning knob** to confirm your setting. The display will return to last menu and press menu to go to the normal radio display.

Note: If you have moved the radio to a different part of the country, you should also carry out a search for new stations (please see the section “Finding new stations – DAB”).

FM MODE

Operating the radio – FM seek station

1. Press the **On/Off button** to turn on the radio.
2. Select the FM waveband by pressing the **Source button**.
3. If this is the first time to switch to FM mode, the station in preset 1 will be played. If the radio has been used before, the last listened station will be played.
4. To seek station, press the **Tuning knob**. The scan stops automatically when it finds a station of sufficient strength.
5. After a few seconds, the display will update and show station name if RDS information is being received.
6. To find the next station, press the **Tuning knob** again.
7. To seek stations in an opposite direction, rotate the **Tuning knob** clockwise (to scan from low frequency to high frequency) or rotate counter clockwise (to scan from high frequency to low frequency), and press the **Tuning knob**.
8. When the waveband end is reached, the radio will recommence tuning from the opposite waveband end.

Manual tuning – FM

1. Press the **On/Off button** to turn on the radio.
2. Select the FM band by pressing the **Source button**.
3. Rotate the **Tuning knob** to reach the preferred FM station. The radio will change the frequency in steps of 50 kHz.
4. Rotate the rubber antenna to get the best reception. If the radio is tuned to a station of sufficient signal strength with RDS information present, the display may change to show the station name.
5. When the waveband end is reached, the radio will recommence tuning from the opposite waveband end.

RDS station service – FM

RDS (Radio Data System) is an information system which inaudible digital information is transmitted in addition to the normal FM radio program. When the radio is receiving a RDS station and the reception strength is sufficient, the station name will appear in the display. It may take some time before the RDS information is available.

Calling up RDS information

GB

When you are listening to a FM station with RDS system, repeatedly press the **Info button** to cycle through the information. This will only function if the reception level is sufficient and clear.

- | | |
|-----------------------|---|
| a. Radio text (RT) | Displays the message about the station being listened to as ticker text. |
| b. Program type (PTY) | Displays the type of station being listened to, e.g. Pop, Classic, News, etc. |
| c. Frequency | Displays the frequency of the station being listened to. |
| d. Signal level | Displays the signal strength. |
| e. Time & date | Displays the current time (24 hour clock) and date. |

Scan sensitivity setting – FM

The radio will normally scan all stations from FM broadcasts including the weaker signals. However, you may wish the Auto-scan to find only those stations with strong enough signals to give good reception.

1. Press the **On/Off button** to turn on the radio.
2. Select the FM band by pressing the **Source button**.
3. Press the **Menu button**, the display shows “Scan setting”.
4. Press the **Tuning knob**.
5. Rotate the **Tuning knob** to select between “All stations” or “Strong station” (default is “All stations”). The “Strong station” option will allow the radio to find strong signals only when scanning.
6. Press the **Tuning knob** to confirm your setting. The display will return to normal radio display.

PRESET STATIONS

Storing preset stations

There are 20 memory presets in the radio, 10 for DAB and 10 for FM. Presets are remembered by the radio in the event of a power failure.

1. Press the **On/Off button** to turn on the radio.
2. Press the **Source button** to select the desired waveband.
3. Tune to the required station.
4. Press and hold the required **Preset button** until the radio beeps and shows “Stored”.
5. Repeat step 3 and 4 for the remaining presets.
6. Stations stored in the preset memories can be over-written by following the above procedure.

Recalling preset stations

1. Press the **On/Off button** to turn on the radio.
2. Press the **Source button** to select the desired waveband.
3. Briefly Press the required **Preset button**. In FM mode the display will show for example “P1” on top right hand side.

USING BLUETOOTH

Pairing Bluetooth with your mobile phone

1. Press the **On/Off button** to turn on the radio.
2. Select Bluetooth mode by pressing the **Source button**.
3. The blue **Bluetooth connected LED** on the front bar will be blinking when the Workstation radio is not yet paired with your mobile phone.
4. In your mobile phone open the Setting menu and select Bluetooth, then select "**Workstation**" in the Bluetooth devices list (Bluetooth pairing instructions may vary per type of mobile phone, please check your mobile phone manual).
5. When Bluetooth pairing is successful, the **Bluetooth connected LED** will stop blinking and the LCD display will show "Bluetooth Connected".

Playing music from your mobile phone

1. Press the **On/Off button** to turn on the radio.
2. Select Bluetooth mode by pressing the **Source button**.
3. Start playing music by using the media players in the paired mobile phone.
4. Playback can be controlled from the mobile phone or by pressing the **▶||**, **▶▶|** and **||◀◀** buttons (preset buttons 3, 4 and 5) on the Workstation radio.

GB

Answering an incoming phone call from the Workstation radio

The Hands-Free-Calling feature allows you to answer an incoming phone call when operating in the Bluetooth, DAB, FM or AUX IN mode.

1. Press the **Tuning knob (Phone icon)** on the right to pick up an incoming call.
2. Speak towards the microphone located in the middle of the radio.
3. Adjust the conversation volume by turning the **Volume knob**. A lower volume setting can reduce a possible echo in the phone conversation.
4. Press the **Tuning knob (Phone icon)** again to hang up the phone call.

Notes: The volume of the Ringtone will be loudest for the first 20 seconds, then it will resume to the previous used level. Rotating the **Volume knob** or pressing the **Tuning knob (Phone icon)** will also return the volume to the previous used level.

Redialing your last dialed phone number (of a paired mobile phone)

The Hands-Free-Calling feature allows you redialing your last dialed phone number on your mobile phone (Bluetooth mode only).

1. In Bluetooth mode, press and hold the **Tuning knob (Phone icon)** on the right for more than 2 seconds. The last dialed phone number on your mobile phone will be redialed.
2. Adjust the volume by turning the **Volume knob** if necessary.
3. Press the **Tuning knob (Phone icon)** again to hang up the phone call.

Bluetooth Options

The Bluetooth function can be set to operate in different ways as below:

1. In Bluetooth mode, press the **Menu button** to enter the system setting.
2. Rotate the **Tuning knob** until “Bluetooth” is displayed; press the **Tuning knob**.
3. Rotate the **Tuning knob** to select “BT always on”, “BT mode only” or “Disconnect BT” options, and press the **Tuning knob** to select the setting.
 - a. BT always on Bluetooth is turned on when the Workstation radio is on. You can playback music in the Bluetooth mode and use the Hands-Free-Calling feature to answer incoming phone calls in all operation modes, for example, also when you are listening to the radio. As an indication, the blue **Bluetooth connected LED** will be on in all operation modes (FM, DAB, Bluetooth and AUX IN).
 - b. BT mode only Bluetooth is turned on only in Bluetooth mode. You can playback music and use the Hands-Free-Calling feature to answer incoming phone calls in the Bluetooth mode only. As an indication, the blue **Bluetooth connected LED** will be on only in the Bluetooth mode.
 - c. Disconnect BT Bluetooth will be disconnected from your mobile phone and enter the “discoverable mode” (The blue **Bluetooth connected LED** will start blinking until a new pairing is established). This is to allow the Bluetooth pairing to another device. If no new device is paired, the Bluetooth will automatically try to connect to the last device when it is switched off and on again.

Note: The volume settings of your mobile phone influence the volume of the music streaming and the volume of the incoming phone calls on the Workstation radio.

The Auto-Power management function will be activated in Bluetooth mode. If there is no signal from Bluetooth for a period of over 15 minutes, the Workstation radio will automatically switch to standby mode. Pressing the **On/Off button** will wake up the unit.

Bluetooth LED configuration

1. Press the **On/Off button** to turn on the radio.
2. Press the **Menu button**, and then rotate the **Tuning knob** until the display shows “System”.
3. Press the **Tuning knob**; rotate the **Tuning knob** until the display shows “Bluetooth LED”.
4. Press the **Tuning knob** to enter the Bluetooth LED adjustment menu.
5. Rotate the **Tuning knob** to select “on” (by default) in order to keep Bluetooth LED lightened when connected;
6. Or rotate the **Tuning knob** to select “off” to turn off Bluetooth LED when Bluetooth connection has been established.
7. Press the **Tuning knob** to confirm your choice.

USB MODE

CONDITIONS TO PREVENT MOIST FROM ENTERING THE RADIO!! KEEP THE RUBBER COVER CLOSED UNDER THESE CONDITIONS.

USB memory devices can be used with the radio for playback of MP3, AAC, FLAC and WAV files.

The radio has been tested with a range of USB memory devices up to 32GB. However, there are many different USB memory device variants available and not all of them can be guaranteed to work in this radio. Memory must use the FAT or FAT32 filing system in order to operate in this radio.

Audio formats supported for playback are MP3, AAC, FLAC and WAV. Playback does not support files that have DRM protection.

The USB socket are located on the side behind the rubber cover. Make sure the rubber cover is closed well after use to prevent moist and dirt from entering the radio.

The USB memory device should not be removed during playback as damage or corruption of files may occur.

USB memory devices are not included with this radio.

Note: When the radio is playing a USB stick, due to additional power consumption of this, the charging of the batteries will stop in order to maintain normal functioning and quality of the USB playback. Once the USB stick is removed normal charging will continue.

GB

Insert and remove a USB memory device

Carefully insert a USB memory device into the USB socket.

To remove the USB memory device, simply pull the device out.

Playing music files

1. Press the **On/Off button** to turn on the radio.
2. Press the **Source button** to select the USB.
The display shows "READING". It may take some time before the radio has read in the folders and files data on the memory device.
3. After reading the USB memory device, the radio will start to play the first file (song) in the first folder.
If no USB memory device is inserted, the display will show "NO USB STICK" respectively.
4. To pause the playback, press the **Play/Pause button**.
Press the **Play/Pause button** again to resume the playback from pause position.
5. To skip to the next file, press the **Fast Forward button**.
6. To skip to the previous file, press the **Rewind button**
7. While the file is playing, press and hold down either the **Fast Forward button** or **Rewind button**. Release the button when the desired part of the file is reached.
8. To skip to the next folder, presses the **Folder + button**.
9. To skip to the previous folder, presses the **Folder + button**.

File searching

1. Press and hold the **Tuning knob** for a few seconds until the display shows the current folder number and the total folder number in the first line. The second line shows the name of the current folder.
2. Rotate the **Tuning knob** to search the desired folder. Press the **Tuning knob** to select the folder. The display will show the first file of the selected folder.
3. Rotate the **Tuning knob** to search the desired file. Press the **Tuning knob** to select the file. The radio will start to play the selected file.

The radio supports a limited number of folders and files in the searching:

Mode	Max. no. of folders supported	Max. no. of files supported
Stop	999 (with folder name)	9999 (with file name)
Play	999 (1-99 with folder name) (100-999 without folder name)	9999 (1-999 with file name) (1000-9999 without file name)

Play mode

During USB memory device is playing,

1. Press the **Menu button**,
2. Rotate the **Tuning knob** until the display shows "Play mode". Press the **Tuning knob**.
3. Rotate the **Tuning knob** to the desired play mode and press the **Tuning knob** to confirm.

The radio will step through the following options:

- Repeat 1 → Repeat Folder → Repeat All → Random → Normal Play
- Repeat 1 Repeatedly play the file you are listening to.
- Repeat Folder Repeatedly play the files within the folder you are listening to.
- Repeat All Repeatedly play all files in the USB memory device.
- Random Play all files in the USB stick once in random order.

The selected Play Mode is indicated on the right of the top line of the display by an icon. No icon is shown when in Normal Play mode.

Information function

During USB memory device playback, press the **Info button** to cycle through the following information (only if this information is present with the file on the memory device):

File name (song) → Folder name → Artist name → Album name → Total no. of files on the USB stick → Clock time and Date → Normal playback status (play time).

CHARGING A MOBILE PHONE

The USB socket on the left side can provide DC power of 5V/1A for charging a mobile phone. Connect the mobile phone to the USB socket with an appropriate cable (not included with this radio). The USB power is available in all modes, including standby mode.

Refer to the user manual or the manufacturer of the mobile phone to verify if it supports charging from an USB power.

Warning: Never use the USB socket in rainy or moist conditions to prevent moist from entering the radio and so to prevent potential short circuit. Always keep the rubber cover well closed under these conditions.

It is recommended to use AC power while charging a mobile phone via USB socket. On DC power it is also possible to charge a mobile phone from the USB socket, however using DC power to charge a mobile phone will consume energy from the batteries and so drain the batteries easily.

AUX IN MODE

GB

A 3.5mm stereo Aux-In socket is provided on the side behind the rubber cover, for connecting an external audio device such as MP3 player or CD player (Aux cable not included with this radio).

1. Connect an external player to the Aux-In socket.
2. Press the **Source button** to select AUX input. Display will show "AUX IN".
3. Play the external player.
4. Adjust the volume both the radio and the player for comfortable listening.
5. After use, close the rubber cover to prevent moist or dust from entering into the sockets and radio.

Notes: Never use the Aux-In socket in rainy or moist conditions to prevent moist from entering the radio. Keep the rubber cover well closed under these conditions.

The Auto-Power management function will be activated in AUX IN mode. If there is no signal* from the Aux-In socket for a period of over 15 minutes, the Workstation radio will automatically switch to standby mode. Pressing the On/Off button will wake up the unit.

* Also when the incoming signal from the external device is too low and cannot be detected for a period of over 15 minutes by the Auto-Power management, the Workstation radio will switch to standby mode.

To prevent this raise the output level of the external device enough to be detected.

MANUALLY SETTING CLOCK

The clock can only be manually set when the radio is in standby mode. If no buttons are pressed for 5 seconds, the radio will exit the clock setup and the setting is cancelled.

1. Press and hold the **Time Set knob** for 12 seconds until the hour digits flash on the display.
2. Rotate the **Time Set knob** to set the hour.
3. Press the **Time Set knob** to confirm, the minute digits flash.
4. Rotate the **Time Set knob** to set the minute.
5. Press the **Time Set knob** to confirm, the day flashes on the display.
6. Rotate the **Time Set knob** to set the current day.
7. Press the **Time Set knob** to confirm, the month flashes.
8. Rotate the **Time Set knob** to set the current month.
9. Press the **Time Set knob** to confirm, the year will then flash on the display.
10. Rotate the **Time Set knob** to set the current year.
11. Press the **Time Set knob** to confirm, "SYNCLOCK ON" flashes.
12. Rotate the **Time Set knob** to select "SYNCLOCK ON" or "SYNCLOCK OFF".
13. Press the **Time Set knob** to confirm and finish the clock setting.

RDS time synchronisation

If "SYNCLOCK ON" is selected, the symbol "⌚" will show on the clock display. Some RDS stations transmit a time signal. If reception is good and you have selected the "SYNCLOCK ON" option during the time setting, the time will be automatically updated ("⌚" flashes on the display). Time synchronization can take several minutes. The automatic time setting is always activated when the radio is switched from standby to FM broadcasting and receives a RDS station.

LOUDNESS

The **Loudness** function enables to get compensation on lower and higher frequency. The effect will be more audible when the radio is on a lower volume level (Dynamic Loudness).

1. Press the **On/Off button** to turn on the radio.
2. Press the **Menu button**, and then rotate the **Tuning knob** until the display shows "System".
3. Press the **Tuning knob**; rotate the **Tuning knob** until the display shows "Loudness".
4. Rotate the **Tuning knob** to select between "Loudness On" or "Loudness Off". Press the **Tuning knob** to confirm the setting and return to normal display.

TONE

The **Tone** function enables the user to adjust the lower and higher sound frequencies.

1. Press the **On/Off button** to turn on the radio.
2. Press and hold the **Volume knob** for about 3 seconds, the display shows "BASS 0".
3. Rotate the **Volume knob** to set the desire Bass level.
4. Press the **Volume knob** to confirm, the display shows "TREBLE 0".
5. Rotate the **Volume knob** to set the desire Treble level.
6. Press the **Volume knob** to confirm and return to normal display,

LANGUAGE SETTING

The menu of the radio can be configured to various languages.

1. Press the **On/Off button** to turn on the radio.
2. Press the **Menu button**, and then rotate the **Tuning knob** until the display shows "System".
3. Press the **Tuning knob**; rotate the **Tuning knob** until the display shows "Language".
4. Press the **Tuning knob** to enter the language adjustment menu.
5. Rotate the **Tuning knob** until the desired language appears on the display (default is English).
6. Press the **Tuning knob** to confirm your choice. The display menu will change to the chosen language.

GB

SOFTWARE VERSION

The software display cannot be altered and is just for your reference. You can only view the software version in DAB and FM mode.

1. Press the **On/Off button** to switch on the radio.
2. Press the **Source button** to select FM or DAB mode.
3. Press the **Menu button** until the display shows "Full Scan", and then rotate the **Tuning knob** until the display shows "System".
4. Press the **Tuning knob**; rotate the **Tuning knob** until the display shows "SW version".
5. Press the **Tuning knob** to view the software version.
6. Press the **Tuning knob** to back to last menu and press menu to return to the normal radio display.

Note: Software upgrade should be done by qualified service personnel.

SYSTEM RESET

If the radio fails to operate correctly, or some digits on the display are missing or incomplete, carry out the following procedure.

1. Press the **On/Off button** to switch on the radio.
2. Press the **Menu button**,
3. Rotate the **Tuning knob** until the display shows "System". Press the **Tuning knob**.
4. Rotate the **Tuning knob** until the display shows "Factory reset". Press the **Tuning knob**.
5. Rotate the **Tuning knob** to select between "Yes" or "No". Select "Yes" if you wish to reset the radio, otherwise, select "No".
6. Press the **Tuning knob** to cause the factory reset.
7. A full reset will be performed. All presets and the station list will be erased. All settings will be set to the default values. The display will show "Restarting" for a few seconds, and then the radio will automatically perform an auto scan of the Band III DAB channels and the FM band, the display will show "Scanning" at DAB and "Auto" at FM.

In case of malfunction due to electrostatic discharge; reset the product as above to resume normal operation. If you are not able to perform the reset operation as above, remove and reconnect all batteries and the power supply.

"Under the environment with Conducted Immunity disturbance / Radiated Immunity, the sample may malfunction. It will automatically recover to normal when the Conducted Immunity disturbance / Radiated Immunity stopped."

BACKLIGHT

LCD backlight configuration

1. Press the **On/Off button** to turn on the radio.
2. Press the **Menu button**, and then rotate the **Tuning knob** until the display shows “System”.
3. Press the **Tuning knob**; rotate the **Tuning knob** until the display shows “LCD backlight”.
4. Press the **Tuning knob** to enter the LCD backlight adjustment menu.
5. Rotate the **Tuning knob** to select “on” in order to keep backlight always lightened when the radio is turned on with AC power supply;
6. Or rotate the **Tuning knob** to select “off” (by default) so that the backlight will be lightened for about 10 seconds whenever a button is pressed with AC power supply.
7. Press the **Tuning knob** to confirm your choice.

Note: The LCD backlight option “on” is only functional when the radio is powered by AC power supply. When the radio is powered by battery power supply, the LCD backlight is switched to option “off” – 10 seconds lightened when a button is pressed. When the radio is connected to mains AC power again, the last user setting will be applied again.

WARRANTY

This radio has a 2 year limited warranty.

WARNING ! Warranty becomes void once the radio cabinet has been opened or any modifications or alterations to the radio have been made !

The terms of the warranty of this radio do not cover the following:

- Damage caused by misuse, abuse, neglect, alterations, accidents or unauthorised repair.
- Normal wear and tear.
- Breaking or bending of the metal telescopic antenna.
- Batteries.

INFORMATION

Environmental note



This product has been made from high-quality parts and materials, which can be reused and recycled.

Therefore, do not throw the product away with normal household waste at the end of its life. Take it to a collection point for recycling electrical and electronic device. This is indicated by this symbol on the product, in the operating manual and on the packaging.

Please find out about collection points operated by your local authority. Help protect the environmental by recycling used products.



Power supply

Mains operation:
AC 230 V ~, 50/60Hz

Battery operation:
6 x 1,5V (Alkaline Type IEC LR20 / UM-1 / D-size) or
6 x 1,2V (PerfectPro type D / HR20 / 1,2V 8000mAh NiMH rechargeable battery)

Battery for Back up:
2 x 1,5V (Alkaline Type LR6 / UM-3 / AA-size)

Power consumption (mains supply)

Operation: < 47 W
Standby: < 1 W

Frequency coverage

FM 88 – 108,0 MHz
DAB 174,928 – 239,200 MHz

Speaker

Size 2 x \varnothing 100mm
Impedance 8 ohms

Output Power

Nominal 2 x 10W

Aux in socket

\varnothing 3,5mm

Bluetooth

Version 4.1
Supports Bluetooth profiles A2DP, AVRCP
2400-2483.5 MHz, max power <20 dBm

USB charging

Max. 5V, 1A

The company reserves the right to amend the specification without notice.

INHOUD

BELANGRIJKE ALGEMENE VEILIGHEIDSINSTRUCTIES	2
BEDIENINGSELEMENTEN	3
STROOMBRONNEN	4
ALGEMENE FUNCTIES	7
EERSTE GEBRUIK VAN DE RADIO	8
DAB MODUS	8
FM MODUS	11
VOORKEUZE ZENDERS INSTELLEN	12
BLUETOOTH MODUS	13
USB MODUS	16
EEN MOBIELE TELEFOON OPLADEN	18
AUX IN MODUS	18
HANDMATIG DE KLOK INSTELLEN	19
LOUDNESS	20
TOONREGELING	20
TAAL INSTELLEN	21
SOFTWARE VERSIE	21
SYSTEEM RESET	22
DISPLAY VERLICHTING	22
GARANTIE	23
INFORMATIE	23

WAARSCHUWING DE GARANTIE VERVALT INDIEN DE BEHUIZING VAN HET APPARAAT GEOPEND IS OF INDIEN HET APPARAAT DOOR DE EINDGEBRUIKER OP ENIGERLEI WIJZE GEMODIFICEERD OF VERANDERD IS.



LET OP: gevaar voor elektrische schok – niet openen.

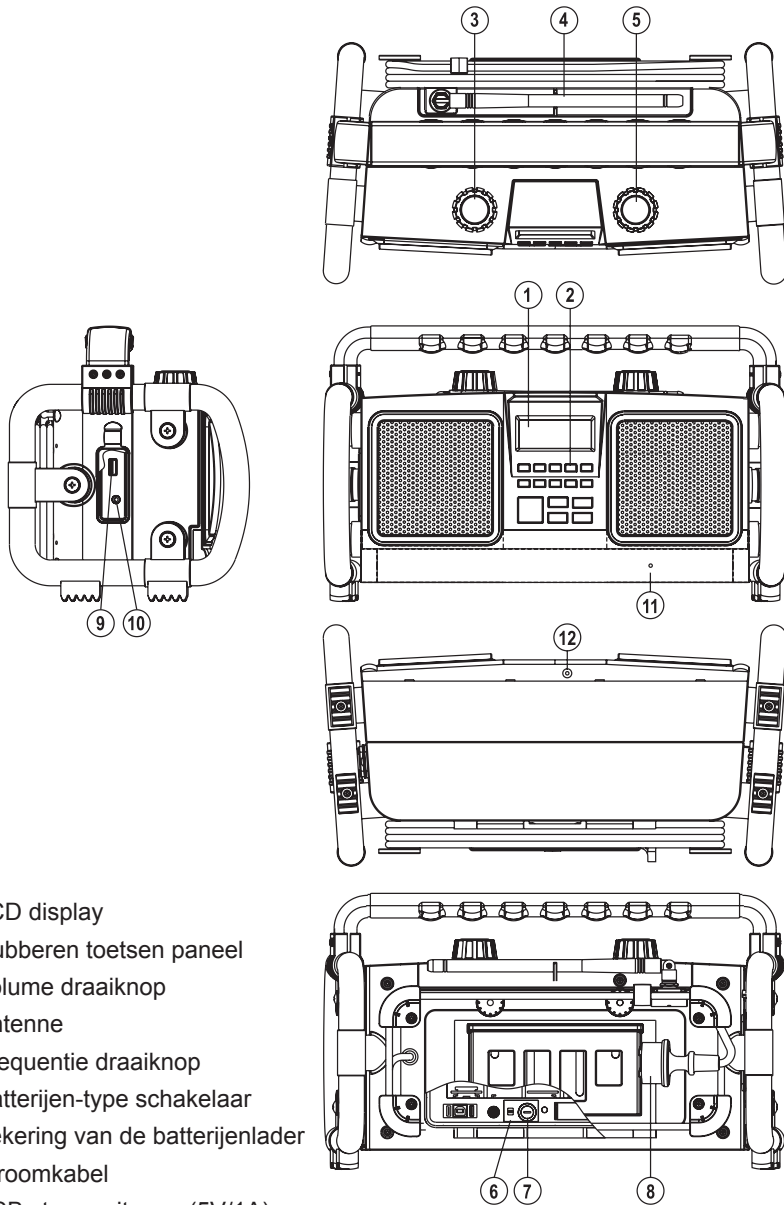
BELANGRIJKE ALGEMENE VEILIGHEIDSINSTRUCTIES

1. Lees deze instructies.
2. Bewaar deze instructies goed.
3. Neem alle waarschuwingen in acht.
4. Volg alle aanwijzingen op.
5. Reinig het uitsluitend met een droge doek.
6. Blokkeer geen ventilatieopeningen en plaats het toestel volgens de instructies.
7. Plaats het niet in de buurt van warmtebronnen zoals verwarmingen, ventilatiekleppen, ovens en andere apparaten (incl. versterkers) die warmte afgeven.
8. Beschadig niet de ten behoeve van de veiligheid gepoolde of geaarde stekkers. Een gepoolde stekker bezit twee contacten, een is breder dan de andere. Een geaarde stekker bezit twee contacten en een derde pen voor de aarding. Het bredecontact of de derde pin dienen voor uw veiligheid. Mocht de meegeleverde stekker niet in uw stopcontact passen, neem dan voor het vervangen van het verouderde stopcontact contact op met een electricien.
9. Bescherm de stroomkabel, opdat hierop niet gelopen wordt en er geen beschadigingen of knikken optreden aan de stekker, aan het stopcontact of op de plek waar de stekker uit het toestel komt.
10. Gebruik uitsluitend de door de fabrikant aangegeven onderdelen/accessoires.
11. Gebruik het toestel uitsluitend met de door de fabrikant aangegeven of samen met het toestel gekochte wagentjes, standards, driepoten, klemmen of tafel. Wanneer u een wagen gebruikt, wees dan voorzichtig bij het bewegen van de combinatie wagen/toestel om letsel door omvallen te vermijden.
12. Koppel het toestel van de stroomvoorziening af bij onweer of wanneer het langere tijd niet wordt gebruikt.
13. Laat iedere vorm van onderhoud door gekwalificeerd personeel verrichten. Een onderhoud is noodzakelijk wanneer het toestel aan de stroomkabel of stekker beschadigd werd, wanneer er vloeistof of voorwerpen in het toestel zijn binnengedrongen, wanneer het toestel aan regen of vochtigheid was blootgesteld en wanneer het niet normaal functioneert resp. gevallen is.
14. Stel het toestel noch aan regen noch aan vochtigheid bloot om het gevaar voor brand of het risico van een elektrische schok te reduceren.
15. Verwijder de afdekking niet. In het binnenste bevinden zich geen onderdelen waarvoor een onderhoud noodzakelijk is.
16. Geen voorwerpen op het apparaat plaatsen welke een bron zijn van open vlammen.
17. Gebruik bij het gebruik in de open lucht op regenachtige dagen of bij vochtig weer uitsluitend batterijen om een elektrische schok te vermijden. Om elektrische schok te voorkomen, als de radio blootgesteld is geweest aan regen of water, dienen zowel het snoer als de stekker volledig gedroogd te worden alvorens de stekker in het stopcontact wordt gestoken.
18. De netstekker moet dicht bij het toestel en steeds toegankelijk zijn, zodat in geval van nood (bijv. om het toestel van het stroomnet te scheiden) alleen de stekker uit het stopcontact moet worden getrokken.
19. De productinformatie is te vinden op de onderzijde van het toestel.
20. Dit apparaat is voorzien van bescherming tegen spattend water (IP65).
21. In geval van storing ten gevolge van Electro-statische ontlading of piekspanning, verwijder de stroombron en sluit deze daarna weer aan.
22. Om mogelijke gehoorschade te voorkomen niet op een hoog volume gedurende een lange periode luisteren.



23. Het apparaat moet gebruikt worden in een gemiddeld klimaat.

BEDIENINGSELEMENTEN



1. LCD display
2. Rubberen toetsen paneel
3. Volume draaiknop
4. Antenne
5. Frequentie draaiknop
6. Batterijen-type schakelaar
7. Zekering van de batterijenlader
8. Stroomkabel
9. USB stroomuitgang (5V/1A)
10. Aux-in ingang
11. Bluetooth verbonden LED
12. Microfoon

STROOMBRONNEN

Gebruik op netstroom

- Voordat u de stroomkabel met het stopcontact verbindt, dient u te controleren of de netstroom spanning correct is en dat de **Batterijen-type schakelaar** in de juiste positie staat: **ALKALINE** wanneer u geen batterijen of Alkaline batterijen gebruikt / **CHARGE NiMH ON** wanneer u NiMH batterijen gebruikt.
- Wanneer u Alkaline batterijen gebruikt en de **Batterijen-type schakelaar** staat op **ALKALINE** dan zullen de batterijen automatisch worden uitgeschakeld wanneer u netstroom gebruikt.
- Wanneer u NiMH batterijen gebruikt en de **Batterijen-type schakelaar** staat op **CHARGE NiMH ON** dan zullen de batterijen automatisch worden opgeladen wanneer u netstroom gebruikt.
- De kabel- en stekker-opbergmogelijkheid, die zich aan de achterzijde van de radio bevindt, dient ervoor om de stroomkabel en de stekker op te bergen wanneer de radio niet gebruikt wordt of wanneer hij op batterijen speelt.

Opmerking: Om het toestel volledig van de netstroom af te koppelen moet de stekker volledig uit het stopcontact worden getrokken. De stekker en stroomdraad dienen daarvoor altijd bereikbaar te zijn met directe toegang.

In geval van storing ten gevolge van electro-statische ontlading of piekspanning, ontkoppel de stroombron en de batterijen en sluit deze daarna weer aan.

Gebruik met batterijen

1. Om het batterijen-compartiment te openen draait u eerst de bevestigingen van de batterijklep tegen de wijzers van de klok in om deze los te draaien en trekt vervolgens de batterijklep naar beneden.
2. Deze radio werkt op Alkaline batterijen (6 x 1,5V type IEC LR20 / UM-1 / maat D) of NiMH batterijen (6 x 1,2V Perfectpro oplaadbare batterijen maat D / HR20 / 8000mAh). Zet de Batterijen-type schakelaar op het gebruikte type batterijen. (ALKALINE of CHARGE NiMH ON).
3. Plaats de batterijen met correcte polariteit (+ en -) zoals aangegeven in het batterijen-compartiment. Sluit de batterijklep en draai de 2 sluitingen dicht (met de wijzers van de klok mee). Sluit het goed af om te voorkomen dat er vocht of stof in het compartiment komt.
4. Indien u van plan bent om de radio gedurende een relatief lange periode niet te gebruiken is het aangeraden om de batterijen uit de radio te halen.

De status van de batterijen (bij benadering) wordt op de LCD-display van de radio aangegeven middels een batterij-icoon. Wanneer de capaciteit erg laag is, verschijnt de mededeling "Battery low!" ("Batterij zwak") en het batterijsymbool op de display knippert. Dan moeten de batterijen op korte termijn worden vervangen of opgeladen om een normaal gebruik van de radio te kunnen voortzetten.

Wanneer er NiMH batterijen worden opgeladen zal het batterij-icoon op de LCD display een oplaadanimatie vertonen. Het opladen en deze animatie zullen vanzelf stoppen wanneer de batterijen vol zijn.

Back-up batterijen (2 x AA)

Back-up batterijen worden gebruikt voor het geheugen van de tijdsinstelling wanneer er geen andere batterijen aanwezig zijn. Het is nodig om back-up batterijen (2 x AA formaat / UM-3) te gebruiken indien u de radio enkel op netstroom gebruikt en wilt dat de tijdsinstelling onthouden wordt. Zonder back-up batterijen gaat de tijdsinstelling steeds verloren wanneer u de radio loskoppelt van de netstroom. De back-up batterijen worden niet opgeladen en dienen ieder jaar vervangen te worden.

De zekering van de batterijenlader vervangen

De batterijenlader heeft een zekering omwille van veiligheidsredenen, deze beschermt de radio tegen overspanning of piekspanning tijdens het laadproces. De zekering zal doorbranden als er iets mis is met de lader of de batterijen (bijvoorbeeld als de batterijen zijn beschadigd). In dat geval weigert de lader om de batterijen op te laden of de radio werkt niet meer met batterijen. U dient dit dan na te kijken en eventueel de batterijen en/of de zekering te vervangen.

1. Schakel de radio uit en haal de stekker uit het stopcontact.
2. Open het batterijen-compartiment.
3. Controleer de batterijen zorgvuldig en zorg ervoor dat ze allemaal zijn geïnstalleerd met de juiste polariteit (+ en -) en vervang de batterijen indien er schade is. Raadpleeg de sectie van "BELANGRIJKE INFORMATIE VOOR HET OPLADEN EN GEBRUIKEN VAN OPLAADBARE BATTERIJEN" voor gedetailleerde informatie.
4. Zoek de zekeringhouder in het batterijcompartiment. Het deksel van de zekeringhouder is herkenbaar aan het woord "FUSE".
5. Om de zekering te verwijderen, gebruikt u een schroevendraaier en draait de schroevendraaier voorzichtig linksom terwijl u het deksel iets indrukt. Gebruik niet te veel kracht bij het draaien aan het zekerings-deksel want dit kan schade veroorzaken.
6. Vervang de gesprongen zekering door een identiek, nieuw exemplaar. Het type zekering is aangegeven naast de zekeringhouder (T4AL 250V). Gebruik geen zekering van een ander type.
7. Plaats het zekerings-deksel terug met een schroevendraaier. Draai de schroevendraaier voorzichtig rechtsom terwijl u de deksel iets indrukt. Gebruik niet te veel kracht bij het draaien aan het zekerings-deksel want dit kan schade veroorzaken.

Opmerking:

- Als de nieuwe zekering weer doorbrandt zodra de radio weer wordt aangesloten op netstroom of wanneer u de radio gebruikt, dan duidt dit op een probleem met de radio of de batterijen. Gelieve dit te laten controleren bij een dealer of het Perfectpro servicecenter.
- De zekering beschermt ook Alkaline batterijen tegen overspanning.

Waarschuwing:

Er is explosiegevaar als de batterijen verkeerd worden vervangen. Alleen vervangen door hetzelfde of een gelijkwaardig type.

Controleer altijd of de Batterijen-type schakelaar op de juiste positie is ingesteld.

Een Alkaline batterij is niet oplaadbaar. Probeer nooit Alkaline batterijen op te laden.

Nooit verschillende types batterijen mengen.

Nooit geladen en ongeladen batterijen mengen.

Stel de batterijen niet bloot aan overmatige hitte, zoals zonlicht, vuur of dergelijke.

Batterijen dienen niet weggegooid te worden met het huishoudelijk afval of verbrand te worden. Oude, versleten batterijen moeten worden ingeleverd bij een recycleercentrum

BELANGRIJKE INFORMATIE VOOR HET OPLADEN EN GEBUIKEN VAN OPLAADBARE BATTERIJEN

1. **Laad de batterijen ten minste iedere 2 maanden op.**
2. Zorg ervoor dat de **Batterijen-type schakelaar** zeker in de **“CHARGE / NiMH ON”** positie staat.
3. **Plaats de batterijen in het compartiment volgens de correcte polariteit (+ en -).**
4. **Eerste gebruik: Laad de nieuwe batterijen in één, niet onderbroken, laadbeurt tot ze vol zijn.** Deze eerste laadbeurt zal langer duren dan een normale laadbeurt. Voor een langere levensduur van de batterijen is het daarna het beste om de batterijen altijd in één, niet onderbroken laadbeurt te laden tot ze volledig vol zijn en niet steeds te laden wanneer ze nog voldoende vol zijn.
5. De nieuwe batterijen zullen hun volle capaciteit pas bereiken na een aantal gebruikscycli (ontladen-laden).
6. Laat de hele groep batterijen, bij regelmatig gebruik, in de radio zitten en gebruik deze niet voor andere doeleinden. Ook nooit een paar batterijen eruit halen en voor iets anders gebruiken. Zo ontstaat een mix van (volledig) geladen en (gedeeltelijk) ontladen batterijen.
7. Laad de batterijen bij een omgevingstemperatuur tussen de 5 graden C en 35 graden C. Bij een hogere of lagere temperatuur kunnen de batterijen niet volledig geladen worden.
8. Door de hoge capaciteit van de meegeleverde batterijen kan het laden van “leeg” tot “vol” ongeveer 10 uur duren.
9. Laad geen batterijen op als de radio warm is of is blootgesteld aan hitte of warmtebronnen.
10. Geadviseerd wordt de metalen contactpunten van de batterijen en van de lader in de radio van tijd tot tijd te reinigen met een contactspray speciaal voor electronica.
11. Nooit oude en nieuwe oplaadbare batterijen door elkaar gebruiken.
12. Nooit oplaadbare en niet-oplaadbare batterijen door elkaar gebruiken.
13. Nooit lege en volgeladen oplaadbare batterijen door elkaar gebruiken.
14. Nooit batterijen door elkaar gebruiken met een verschillende capaciteit (mAh).
15. Nooit beschadigde, misvormde of lekkende batterijen gebruiken.
16. De batterij status indicatie (batterij-icoon in display) is een indicatie bij benadering en deze kan verschillen afhankelijk van het gebruikte type batterijen.
17. De batterijen kunnen warm worden tijdens het opladen.

18. In koude omstandigheden zal de capaciteit van batterijen lager zijn dan bij normale kamertemperatuur.
19. Batterijen vallen, als zijnde verbruiksgoederen, niet onder de garantiebepalingen zoals deze gelden voor de radio.
20. Het wordt aangeraden om Perfectpro oplaadbare batterijen te gebruiken, omdat de radio en de interne oplader ontwikkeld zijn voor deze batterijen.
21. Voor het plaatsen van de batterijen altijd eerst de stekker uit het stopcontact halen.

ALGEMENE FUNCTIES

1. **De radio aan en uit zetten**
Druk op de **Aan/Uit toets** om de radio in te schakelen of terug op standby te zetten.
2. **Kiezen tussen DAB / FM / Bluetooth of AUX IN modus.**
Druk op de **Audiobron keuzetoets (Source)** om van de ene naar de andere modus te gaan.
3. **De radio afstemmen op de gewenste zender**
Draai aan de **Frequentie draaiknop** (rechtsboven).
4. **Volume aanpassen**
Draai aan de **Volume draaiknop** (linksboven).
5. **Toon aanpassen**
Druk op de **Volume draaiknop** (linksboven) en draai vervolgens om de Bass en Treble aan te passen.
6. **Kiezen tussen Mono of Stereo modus (enkel in FM modus)**
Druk op de **Mono/Stereo** knop om te kiezen tussen FM Mono of FM Stereo.
7. **De radio met uw mobiele telefoon verbinden via Bluetooth**
Selecteer het apparaat **“Workstation”** in het Bluetooth menu van uw mobiele telefoon.
8. **Muziek afspelen vanaf uw mobiele telefoon in Bluetooth modus**
Gebruik de media spelers van uw mobiele telefoon.
9. **Muziek afspelen vanaf een verbonden mobiele telefoon met de Workstation radio in Bluetooth modus**
Druk op de **▶||, ▶▶I** en **I◀◀** toetsen (voorkeuze toetsen 3, 4 en 5).
10. **Een telefoonoproep beantwoorden vanaf de Workstation radio**
Druk op de **Frequentie draaiknop (telefoon icoon)** om op te nemen en op te hangen.
11. **Het laatst gebelde telefoonnummer opnieuw bellen in Bluetooth modus**
Houd de **Frequentie draaiknop (telefoon icoon)** langer dan 2 seconden ingedrukt.

12. Uw mobiele telefoon opladen vanaf de Workstation radio

Verbind de mobiele telefoon met de USB stroom-uitgang (zijkant links) via een passende kabel (niet meegeleverd).

EERSTE GEBRUIK VAN DE RADIO

1. Plaats de radio op een vlakke ondergrond.
2. Zet de antenne, die zich bovenop de radio bevindt, rechtop.
3. Steek de stekker in het stopcontact. De radio zal vanzelf opstarten en enkele seconden in de display “WELCOME TO DIGITAL RADIO” aangeven en automatisch het DAB- en FM-frequentiebereik scannen. De display geeft “Scanning” aan voor DAB en “Auto” voor FM.
4. De 10 sterkste FM zenders worden dan in het voorkeuze-geheugen gezet en de beschikbare DAB zenders in de zenderlijst. Na deze eerste scan zal de radio zichzelf uitschakelen en de display geeft de geupdate tijd/datum aan.

Als er geen radiosignaal gevonden werd dan wordt de tijd/datum niet geupdate.

Het kan dan nodig zijn om de radio te verplaatsen naar een andere positie met een betere radio-ontvangst.

DAB MODUS (DAB - DAB+)

Bediening van de radio - DAB

1. Zet de antenne rechtop. Druk op de **Aan/Uit toets** om de radio in te schakelen.
2. Kies de DAB modus door deze te kiezen met de **Audiobron keuzetoets (Source)**
3. De eerste zender (in numerieke-alpha volgorde 0...9,A...Z) in de zenderlijst zal afspelen. De display toont de naam van de zender. Als de radio eerder is gebruikt zal de laatst geselecteerde zender afspelen.
4. Als geen zendersignaal wordt gevonden wordt “No stations available” (“Geen zenders beschikbaar”) weergegeven. Het kan dan nodig zijn om de radio te verplaatsen naar een andere positie met een betere radio-ontvangst. U kunt dan een Auto Scan uitvoeren om zenders te zoeken. Zie verderop “**Nieuwe zenders zoeken – DAB**”.

Een zender kiezen - DAB

1. Druk op de **Aan/Uit toets** om de radio in te schakelen.
2. Kies de DAB modus door deze te kiezen met de Audiobron keuzetoets (Source)
3. De display geeft aan “Connecting” gedurende enkele seconden.
4. De display geeft de naam van de zender aan die speelt aan.
5. Draai de **Frequentie draaiknop** om door de lijst van beschikbare zenders te lopen.
6. Als de naam van de gewenste zender verschijnt druk dan op de **Frequentie draaiknop** om de zender te selecteren.

Als na het selecteren de display aangeeft “No stations available” dan kan het nodig zijn de radio te verplaatsen naar een andere positie om ontvangst te krijgen.

Display modus - DAB

In de DAB modus kan de radio diverse informatie aangeven.

1. Druk op de **Info toets** om de diverse informatie te doorlopen.
 - a. Lopende tekst Geeft mededelingen van de beluisterde zender als doorlopende tekst aan.
 - b. Signaal sterkte Geeft het ontvangen niveau van de signaalsterkte van de zender aan. **Het open blokje geeft het minimum signaalniveau aan nodig voor een goede ontvangst.**
 - c. Programma type Geeft het type programma aan die u hoort, bijv. pop, klassiek, nieuws, enz.
 - d. Multiplex naam Geeft de naam van de multiplex aan waartoe de zender behoort.
 - e. Kanaal & frequentie Geeft het nummer en de frequentie aan van de zender.
 - f. Bit rate & audio type Geeft de "audio bit rate" en de "audio format" van de betreffende uitzending weer.
 - g. Tijd en datum Geeft de actuele tijd en de datum aan.

Nieuwe stations zoeken – DAB

Van tijd tot tijd kunnen er nieuwe zenders beschikbaar zijn. Om deze te vinden:

1. In DAB modus, druk op de **Menu toets**, de display geeft aan "Full scan".
2. Druk op de **Frequentie draaiknop**, de radio scant de frequenties van de DAB Band III.
Als er nieuwe zenders gevonden worden dan worden deze toegevoegd aan de zenderlijst.

Handmatig zenders zoeken – DAB

Handmatig afstemmen geeft u de mogelijkheid om direct zenders te kiezen in de DAB Band III.

1. In DAB modus, druk op de **Menu toets**, de display geeft aan "Full scan".
2. Draai de **Frequentie draaiknop** tot de display "Manual tuning" aangeeft. Druk op de **Frequentie draaiknop**.
3. Draai de **Frequentie draaiknop** om de gewenste DAB frequentie te zoeken. Druk op de **Frequentie draaiknop** om deze gewenste frequentie te selecteren.
4. De signaalsterkte display geeft het ontvangen niveau van de zender aan. Het open blokje geeft het minimum signaalniveau aan nodig voor een goede ontvangst. De signaalsterkte aanduiding verandert mogelijk als u de positie van de antenne en/of de radio verandert.
5. Als een DAB signaal gevonden is toont de display de naam van het station.
6. Druk op de **Frequentie draaiknop** om terug te keren naar het standaard DAB menu.

Dynamic Range Control (DRC) instellingen – DAB

DRC kan zachtere geluiden beter hoorbaar maken als de radio in een lawaaierige omgeving gebruikt wordt.

1. In DAB Modus, druk op de **Menu toets**, de display geeft aan “Full scan”.
2. Draai de **Frequentie draaiknop** tot de display “DRC value” aangeeft. Druk op de **Frequentie draaiknop**.
3. Draai de **Frequentie draaiknop** tot de gewenste DRC instelling (standaard is Off).
 - i. DRC Off DRC uitgeschakeld.
 - ii. DRC 1/2 DRC niveau op ½ van het uitgezonden niveau.
 - iii. DRC 1 DRC volledig weergegeven als uitgezonden.
4. Druk op de **Frequentie draaiknop** om te bevestigen en terug te keren naar het standaard DAB menu.

Opmerking: Niet alle DAB zender gebruiken de DRC functie. Als de zender geen DRC informatie meezendt hebben de DRC instellingen van de radio geen effect

Zenders snoeien “Prune” – DAB

Als u zich verplaatst naar een ander gebied of land kunnen bepaalde zenders niet meer beschikbaar zijn. Ook kunnen bepaalde zenders stoppen met uitzenden of van frequentie veranderen. De “Prune” (“Snoei”) functie verwijdert dan de niet beschikbare zenders uit uw zenderlijst.

1. In DAB modus, druk op de **Menu toets**.
2. Draai de **Frequentie draaiknop** tot de display “Prune” aangeeft. Druk op de **Frequentie draaiknop**.
3. Draai de **Frequentie draaiknop** om te kiezen tussen “Yes”(“Ja”) of “No”(“Nee”) (Standaard is Nee).
4. Druk op de **Frequentie draaiknop** om te bevestigen en terug te keren naar het standaard DAB menu.

Opmerking: Als u zich verplaatst naar een ander gebied of land kunt u best ook nieuwe zenders zoeken. Zie hiervoor “Nieuwe zenders zoeken”.

FM MODUS

Bediening van de radio - FM

Automatische zenderzoek functie - FM

1. Druk op de **Aan/Uit toets** om de radio in te schakelen.
2. Kies de FM modus door het drukken op de **Audiobron keuzetoets (Source)**.
3. Bij het eerste gebruik zal de zender in voorkeuze-geheugen 1 afgespeeld worden. Als de radio eerder gebruikt werd dan speelt de laatst beluisterde zender af.
4. Druk op de **Frequentie draaiknop** om de zoekfunctie ("scanning") te starten.
5. De radio zoekt en stopt onmiddellijk, wanneer hij een zender met voldoende signaalsterkte vindt.
6. Om een volgende zender te zoeken drukt u opnieuw op de **Frequentie draaiknop**.
7. Om zenders in tegenovergestelde richting te zoeken draait u de **Frequentie draaiknop** met de wijzers van de klok mee (voor het zoeken van lage naar hoge frequentie) of tegen de wijzers van de klok in (voor het zoeken van hoge naar lage frequentie) en drukt dan op de **Frequentie draaiknop**.
8. Wanneer het einde van het frequentiebereik is bereikt, begint de radio opnieuw te zoeken vanaf het tegenovergestelde einde van het frequentiebereik.

Manuele afstemming - FM

1. Druk op de **Aan/Uit toets** om de radio in te schakelen.
2. Kies de FM modus door het drukken op de **Audiobron keuzetoets (Source)**.
3. Bij het eerste gebruik zal de zender in voorkeuze-geheugen 1 afgespeeld worden. Als de radio eerder gebruikt werd dan speelt de laatst beluisterde zender af.
4. Draai de **Frequentie draaiknop** voor het instellen van de gewenste FM zender. De radiofrequentie gaat in stappen van 50 kHz.
5. Draai de **Volume draaiknop** tot het gewenste volumeniveau is bereikt.
6. Draai eventueel de antenne tot u de beste ontvangst bereikt.
7. Wanneer het einde van het frequentiebereik is bereikt, begint de radio opnieuw te zoeken vanaf het tegenovergestelde einde van het frequentiebereik.

RDS zender-service – FM

RDS (Radio Data System) is een informatiesysteem dat behalve het normale FM-radioprogramma onhoorbare digitale informatie meezendt. Wanneer de radio een RDS-zender ontvangt en de ontvangst voldoende sterk is, verschijnt de naam van de zender in de LCD display. Het kan even duren tot deze RDS informatie beschikbaar is.

Oproepen van de RDS-informatie

Wanneer u naar een FM-zender met RDS-systeem luistert, drukt u meermaals op de Info toets om door de RDS-informatie te lopen. Dit functioneert alleen wanneer het niveau van de ontvangst voldoende sterk en helder is.

- | | |
|-------------------------|---|
| a. Radiotekst (RT) | Geeft mededelingen van de beluisterde zender als doorlopende tekst aan. |
| b. Programma-type (PTY) | Geeft het type zender aan die u hoort, bijv. pop, klassiek, nieuwsberichten, enz. |
| c. Frequentie | Geeft de frequentie van de beluisterde zender weer. |
| d. Signaalsterkte | Geeft het ontvangen niveau van de signaalsterkte van de zender aan. |
| e. Tijd en datum | Geeft het huidige tijdstip (24-uren klok) en de datum weer. |

Scan gevoeligheid instelling – FM

De radio scant normaal alle FM zenders inclusief diegene met een zwakker signaal. U kunt de scan functie echter ook instellen dat deze alleen de zenders met een sterk signaal voor een goede ontvangst vindt.

1. Druk op de **Aan/Uit toets** om de radio in te schakelen.
2. Kies de FM modus door het drukken op de **Audiobron keuzetoets (Source)**.
3. Druk op de **Menu-toets**. De display geeft aan “Scan setting”.
4. Druk op de **Frequentie draaiknop**.
5. Draai de **Frequentie draaiknop** om te selecteren tussen “All stations” (“Alle zenders”) of “Strong stations” (“Sterke zenders”) Standard instelling is “All stations”. De “Strong stations” optie zorgt ervoor dat de radio alleen de sterke zenders vindt bij het scannen.
6. Druk op de **Frequentie draaiknop** om te instelling te bevestigen.

VOORKEUZE ZENDERS INSTELLEN

Instellen van zenders in het voorkeuze-geheugen

Deze radio beschikt over 20 voorkeuze-geheugens: 10 voor FM en 10 voor DAB. Het voorkeuze-geheugen wordt opgeslagen in de radio ook als de stroombron onderbroken wordt.

1. Druk op de **Aan/Uit toets** om de radio in te schakelen.
2. Kies de FM of DAB modus door het drukken op de **Audiobron keuzetoets (Source)**.
3. Stel de gewenste zender in.
4. Houd de gewenste **Voorkeuze-toets** ingedrukt tot de radio piept en “Stored” (“opgeslagen”) aangeeft.
5. Herhaal stap 3 en 4 voor de overige voorinstellingen.
6. In de voorkeuze-geheugens vooraf ingestelde zenders kunnen op de bovenstaande wijze weer worden overgeschreven.

Oproepen van zenders uit het voorkeuze-geheugen

1. Druk op de **Aan/Uit toets** om de radio in te schakelen.
2. Kies de FM of DAB modus door het drukken op de **Audiobron keuzetoets (Source)**.
3. Druk kort op de gewenste **Voorkeuze-toets** en de display toont het voorkeuze-nummer en de zenderfrequentie

BLUETOOTH MODUS

Bluetooth koppelen met uw mobiele telefoon

1. Druk op de **Aan/Uit toets** om de radio aan te zetten.
2. Kies de Bluetooth modus door het drukken op de **Audiobron keuzetoets (Source)**.
3. De blauwe **Bluetooth connected LED** (Bluetooth verbonden) zal knipperen indien de radio en uw telefoon nog niet gekoppeld zijn.
4. Ga op uw mobiele telefoon naar het Bluetooth instellingenmenu en kies **“Workstation”** in de lijst van Bluetooth apparaten (deze koppelings-instructies kunnen verschillen afhankelijk van het model van uw mobiele telefoon, voor meer info: gelieve de handleiding van uw mobiele telefoon te raadplegen).
5. Indien uw mobiele telefoon erin is geslaagd een koppeling tot stand te brengen zal de **Bluetooth connected LED** stoppen met knipperen en de display zal “Bluetooth Connected” tonen.

NL

Muziek afspelen vanaf uw mobiele telefoon

1. Druk op de **Aan/Uit toets** om de radio aan te zetten.
2. Kies de Bluetooth modus door het drukken op de **Audiobron keuzetoets (Source)**.
3. Speel de gewenste muziek af vanaf de media spelers van uw mobiele telefoon.
4. Het afspelen van uw muziek kunt u besturen met de **▶||, ▶▶| en |◀◀** toetsen (voorkeuze toetsen 3, 4 en 5) op de Workstation radio.

Een telefoonoproep beantwoorden vanaf de Workstation radio

Met de Hands-Free-Bellen functie kunt u inkomende telefoonoproepen aannemen terwijl de radio zich in Bluetooth, DAB, FM of AUX IN modus bevindt.

1. Druk op de **Frequentie draaiknop (Telefoon icoon)** om een inkomende telefoonoproep op te nemen.
2. Spreek richting de microfoon die zich in het midden van de radio bevindt.
3. Pas het volume aan door aan de **Volume draaiknop** te draaien. Een lager volume kan eventuele echo tijdens uw gesprek verminderen.

4. Druk nogmaals op de **Frequentie draaiknop (Telefoon icoon)** om op te hangen.

Opmerking: Het volume van de beltoon zal de eerste 20 seconden op het maximale volume afspelen, dan zal het gereduceerd worden naar het eerder gebruikte volume niveau. U kunt het volume ook terugbrengen naar het eerder gebruikte niveau door op de Frequentie draaiknop te drukken (Telefoon icoon) of door aan de Volume draaiknop te draaien.

Het laatst gebelde nummer opnieuw bellen (van de gekoppelde telefoon)

Met de Hands-Free-Bellen functie kunt u het laatst gebelde nummer op uw mobiele telefoon terugbellen (alleen in Bluetooth modus).

1. In Bluetooth modus, druk op de **Frequentie draaiknop (Telefoon icoon)** en houd deze langer dan 2 seconden vast. Het laatst gebelde nummer van uw mobiele telefoon zal nu opnieuw gebeld worden.
2. Pas het volume aan door aan de **Volume draaiknop** te draaien, indien nodig.
3. Druk op de **Frequentie draaiknop** om op te hangen.

Bluetooth Instellingen

De Bluetooth functie kan op verschillende manieren ingesteld worden:

1. In Bluetooth modus, druk op de **Menu** knop om naar de instellingen te gaan.
2. Draai aan de **Frequentie draaiknop** tot "Bluetooth" wordt getoond; druk op de **Frequentie draaiknop**.
3. Draai aan de **Frequentie draaiknop** om te kiezen tussen "BT always on", "BT modus only" of "Disconnect BT", en druk op de **Frequentie draaiknop** om de gewenste instelling te bevestigen.
 - a. BT always on Bluetooth is dan ingeschakeld wanneer de Workstation radio aan staat. U kunt muziek afspelen in de Bluetooth-modus en gebruik maken van de Hands-Free-Bellen-functie om inkomende telefoongesprekken te ontvangen in alle modi, bijvoorbeeld ook wanneer u naar de radio luistert. Ter indicatie zal de blauwe **Bluetooth connected LED aanstaan** in alle modi (FM, DAB, Bluetooth en AUX IN).
 - b. BT modus only Bluetooth staat dan alleen aan in Bluetooth modus. U kunt muziek afspelen en inkomende telefoongesprekken ontvangen, enkel wanneer de radio in Bluetooth modus staat. Ter indicatie staat de blauwe **Bluetooth connected LED** enkel aan in de Bluetooth modus.

- c. Disconnect BT De Bluetooth verbinding met uw mobiele telefoon wordt direct verbroken. De blauwe **Bluetooth connected LED** zal knipperen totdat er een nieuwe verbinding tot stand wordt gebracht. De radio zoekt nu naar een nieuw apparaat om verbinding mee te maken. Indien er geen nieuwe verbinding tot stand wordt gebracht zal de radio automatisch proberen te verbinden met het laatste apparaat, wanneer de radio uit en terug aan wordt geschakeld.

Opgelet: De volume instellingen van uw mobiele telefoon beïnvloeden het volume van de muziek streaming en van de inkomende telefoongesprekken op de Workstation radio.

De Auto-Power management-functie wordt geactiveerd in de Bluetooth modus. Als er gedurende een periode van meer dan 15 minuten, geen signaal via Bluetooth binnenkomt, dan zal de Workstation radio automatisch overschakelen naar stand-by modus. Als u op de **Aan/Uit toets** drukt zal de radio terug aan gaan.

Bluetooth LED instellen

1. Druk op de **Aan/Uit toets** om de radio in te schakelen.
2. Druk op de **Menu toets**, en draai daarna de **Frequentie draaiknop** tot "System" op de display verschijnt.
3. Druk op de **Frequentie draaiknop**; draai daarna de **Frequentie draaiknop** tot "Bluetooth LED" op de display verschijnt.
4. Druk op de **Frequentie draaiknop** om toegang te krijgen tot het Bluetooth LED menu.
5. Draai de **Frequentie draaiknop** om "on" te selecteren (standaard), bij deze instelling blijft het Bluetooth LED branden wanneer er een verbinding is.
6. Of draai de **Frequentie draaiknop** om "off" te selecteren, zodat het Bluetooth LED uitgeschakeld is wanneer er een verbinding is.
7. Druk op de **Frequentie draaiknop** om de keuze te bevestigen.

USB MODUS

GEBRUIK DE USB-INGANG NOOIT IN REGENACHTIGE OF VOCHTIGE OMSTANDIGHEDEN OM TE VOORKOMEN DAT VOCHT IN DE RADIO BINNENKOMT EN OM ZO MOGELIJKE KORTSLUITING TE VOORKOMEN. HOUD ALTIJD DE RUBBEREN AFDICHTING GOED AFGESLOTEN IN DEZE ONSTANDIGHEDEN.

U kunt USB sticks gebruiken voor het afspelen van MP3, AAC, FLAC en WAV-bestanden.

De radio is getest met een reeks van USB sticks tot 32GB. Er zijn echter vele verschillende varianten USB sticks en er kan niet worden gegarandeerd dat alle apparaten werken met deze radio. Een geheugenapparaat moet gebruik maken van het FAT of FAT32 bestandssysteem om te kunnen werken met deze radio.

Audio formaten welke worden ondersteund zijn MP3, AAC, FLAC en WAV. Het afspelen van bestanden met DRM beveiliging is niet mogelijk.

De USB aansluiting zit aan de zijkant van de radio achter de rubberen bedekking. Zorg ervoor dat de rubberen bedekking goed is afgesloten om te voorkomen dat er vocht en stof in de radio kunnen komen.

De USB stick niet verwijderen tijdens het afspelen. Dit kan schade veroorzaken aan de USB stick of de bestanden onleesbaar maken.

USB stick is niet meegeleverd met de radio.

Opmerking: Wanneer de radio afspeelt vanaf een USB stick, zal vanwege het extra stroomverbruik wat hiermee gepaard gaat, de laadfunctie worden uitgeschakeld.

Wanneer de USB stick is verwijderd, zal de radio weer normaal laden.

Een USB stick aansluiten en verwijderen

Sluit voorzichtig een USB stick aan op de USB aansluiting.

Om de USB stick te verwijderen trekt u voorzichtig aan de USB stick.

Afspelen van bestanden

1. Druk op de **Aan/Uit toets** om de radio in te schakelen.
2. Kies de USB modus door het drukken op de **Audiobron keuzetoets**. De display geeft "READING" weer. Het neemt enige tijd in beslag voor alle mappen en bestanden op het geheugen apparaat zijn gelezen.
3. Na het lezen van de USB stick zal het eerste bestand in de eerste map afspelen. Als er geen USB stick is ingevoerd, geeft de display "NO USB STICK" weer.
4. Om het afspelen te onderbreken drukt u op de **Afspeel/pauze toets**. Druk nogmaals op de **Afspeel/pauze toets** om het afspelen weer te hervatten.
5. Om naar het volgende bestand te gaan, drukt u op de **Vooruitspoel toets**.
6. Om naar het vorige bestand te gaan, drukt u op de Terugspoel toets.
7. Om binnen het bestand vooruit of achteruit te spoelen, houdt u de Vooruitspoel of **Terugspoel toets** ingedrukt tot u de gewenste positie heeft bereikt.
8. Om naar de volgende map te gaan, drukt u op de **Map+ toets**.
9. Om naar de vorige map te gaan, drukt u op de **Map- toets**.

Een specifiek bestand selecteren

1. Druk en houd de **Frequentie draaiknop** een paar seconden ingedrukt tot de display de huidige map en het totaal aantal mappen weergeeft in de bovenste regel. In de tweede regel wordt de naam van de huidige map weergegeven.
2. Draai aan de **Frequentie draaiknop** om de gewenste map te selecteren. Druk op de Frequentie draaiknop om te bevestigen. De display geeft nu de geselecteerde map weer in de bovenste regel.
3. Draai aan de **Frequentie draaiknop** om het gewenste bestand te selecteren. Druk op de **Frequentie draaiknop** om het afspelen te starten.

De radio ondersteund een gelimiteerd aantal mappen en bestanden in de zoekfunctie:

Modus	Max. aantal mappen	Max. aantal bestanden
Stop	999 (met map naam)	9999 (met bestandsnaam)
Play	999 (1-99 met map naam) (100-999 zonder map naam)	9999 (1-999 met bestandsnaam) (1000-9999 zonder bestandsnaam)

Afspeel modus

Tijdens het afspelen van USB stick,

1. Druk op de **Menu toets**.
2. Draai de **Frequentie draaiknop** tot de display "Play mode" weergeeft. Druk op de **Frequentie draaiknop**.
3. Draai de **Frequentie draaiknop** tot u de gewenste afspeel modus heeft geselecteerd en druk op de **Frequentie draaiknop** om te bevestigen.

De radio laat de volgende opties zien:

Repeat 1 → Repeat Folder → Repeat All → Random → Normal Play

Repeat 1 Herhaal het bestand waar u naar luistert.

Repeat Folder Herhaal de bestanden in de map waar u naar luistert.

Repeat All Herhaal alle bestanden op de USB stick.

Random Speel alle bestanden uit alle mappen af in willekeurige volgorde.

De geselecteerde afspeel modus wordt rechtsboven in de display weergegeven middels een icoon. Er wordt geen icoon weergegeven wanneer de normale afspeel modus in geselecteerd.

Infofunctie

Druk tijdens het afspelen van USB stick op de **Info toets** om door de volgende weergavemodi te bladeren: (enkel wanneer de informatie beschikbaar is in de betreffende bestanden):

Bestandsnaam (titel van nummer) -> Mapnaam -> Artiestnaam -> Albumtitel -> Totaal aantal bestanden op USB stick -> Tijd en datum -> Standaard afspeel status (afspeeltijd)

EEN MOBIELE TELEFOON OPLADEN

Met de USB stroomuitgang aan de linker zijkant kunt u uw mobiele telefoon opladen met gelijkstroom van 5V/1A. Sluit de mobiele telefoon aan op de USB stroomuitgang met een geschikte kabel (niet meegeleverd). De USB stroomuitgang is beschikbaar in alle modi, waaronder tevens de stand-by modus.

Raadpleeg de handleiding van de fabrikant van uw mobiele telefoon om te controleren of uw mobiele telefoon het opladen via USB ondersteunt.

Waarschuwing: Gebruik de USB stroomuitgang nooit in regenachtige of vochtige omstandigheden om te voorkomen dat vocht in de radio binnenkomen en om zo mogelijke kortsluiting te voorkomen. Houd altijd de rubberen afdekking goed afgesloten in deze omstandigheden.

Het wordt aanbevolen om netstroom te gebruiken voor het opladen van een mobiele telefoon via de USB stroomuitgang. Op batterijen is het ook mogelijk om een mobiele telefoon op te laden via de USB stroomuitgang, maar dan zal de mobiele telefoon veel stroom verbruiken van de batterijen, waardoor deze sneller leeg zullen zijn.

AUX IN MODUS

Aan de zijkant achter de rubberen afdekking bevindt zich een 3,5 mm stereo **Aux In ingang** voor het aansluiten van een extern audioapparaat zoals bijv. een MP3-speler of een CD-speler (niet meegeleverd bij de radio).

1. Verbind een externe speler met de **Aux in ingang**.
2. Druk op de **Audiobron keuzetoets (Source)** om AUX IN te kiezen. De display geeft "AUX IN" aan.
3. Speel de externe speler af.
4. Stel het volume van zowel de radio als de speler in op het gewenste luisterniveau.

Opmerking: Gebruik de AUX-IN ingang nooit in de regen of in een vochtige omgeving om te voorkomen dat er vocht binnendringt in de radio! Hou de rubberen afdekking altijd gesloten in deze omstandigheden.

De Auto-Power management-functie wordt geactiveerd in AUX IN modus. Als er gedurende een periode van meer dan 15 minuten, geen signaal * via de Aux-In-aansluiting binnenkomen, dan zal de Workstation radio automatisch overschakelen naar stand-by modus. Als u op de **Aan/Uit toets** drukt zal de radio terug aan gaan.

* Ook wanneer het binnenkomende signaal van het externe apparaat te zwak is en niet kan worden gedetecteerd gedurende een periode van meer dan 15 minuten met de Auto-Power management, zal de Workstation radio overschakelen naar stand-by modus.

Om dit te voorkomen verhoogt u het uitgangsvolume van de externe speler iets tot het voldoende te detecteren is.


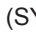
HANDMATIG DE KLOK INSTELLEN

Instellen van de klok – datum

De klok kan alleen dan handmatig worden ingesteld, wanneer de radio is uitgeschakeld. Wanneer er 5 seconden lang geen toetsen worden ingedrukt, verlaat de radio de instellingsmodus van de klok en de instelling wordt gewist.

1. Houd de **Frequentie draaiknop** 12 seconden ingedrukt tot de cijfers voor de uren op de display knipperen.
2. Draai de **Frequentie draaiknop** om de uren in te stellen.
3. Druk de **Frequentie draaiknop** in en de cijfers van de minuten knipperen.
4. Draai de **Frequentie draaiknop** om de minuten in te stellen.
5. Druk de **Frequentie draaiknop** in ter bevestiging en op de display knippert de dag.
6. Draai de **Frequentie draaiknop** om de actuele dag in te stellen.
7. Druk de **Frequentie draaiknop** in ter bevestiging en de maand knippert.
8. Draai de **Frequentie draaiknop** om de lopende maand in te stellen.
9. Druk de **Frequentie draaiknop** in ter bevestiging en op de display knippert het jaar.
10. Draai de **Frequentie draaiknop** om het lopende jaar in te stellen.
11. Druk de **Frequentie draaiknop** in ter bevestiging en “SYNCLOCK ON” (SYNCLOCK AAN) knippert.
12. Draai de **Frequentie draaiknop** voor de keuze van “SYNCLOCK ON” (SYNCLOCK AAN) of “SYNCLOCK OFF” (SYNCLOCK UIT).
13. Druk de **Frequentie draaiknop** in ter bevestiging en beëindiging van de instelling.

RDS tijdsynchronisatie

Wanneer “SYNCLOCK ON” (SYNCLOCK AAN) wordt gekozen, verschijnt het symbool “” in de display. Sommige RDS zenders zenden een tijdsignaal. Wanneer de ontvangst hiervan goed is en u bij de instelling van de tijd de optie “SYNCLOCK ON” (SYNCLOCK AAN) hebt gekozen, wordt de tijd automatisch aangepast (“” knippert in de display). De synchronisatie van de tijd kan enkele minuten duren. De automatische instelling van de klok wordt steeds geactiveerd, wanneer de radio aan is en naar FM modus wordt geschakeld en een RDS zender ontvangt.

LOUDNESS

Druk op de **Loudness-toets** voor compensatie op de lagere en hogere geluidsfrequenties. Het effect zal het best hoorbaar zijn als de radio is ingesteld op een lager volumeniveau (Dynamic Loudness).

1. Druk op de **Aan/Uit toets** om de radio aan te zetten.
2. Druk op de **Menu toets**, en draai tot "System" op de display verschijnt.
3. Druk op de **Frequentie draaiknop**; draai aan de **Frequentie draaiknop** tot "Loudness" op de display verschijnt.
4. Draai aan de **Frequentie draaiknop** om te kiezen tussen "Loudness On" of "Loudness Off". Druk op de **Frequentie draaiknop** om te bevestigen.

TOONREGELING

Met de **Toonregeling (Tone)** functie kunnen de lage tonen (Bass) en hoge tonen (Treble) aan uw persoonlijke voorkeur aangepast worden.

1. Druk op de **Aan/Uit toets** om de radio aan te zetten.
2. Druk op de **Volume draaiknop** gedurende 3 sec, de display toont "BASS 0".
3. Draai aan de **Volume draaiknop** om het gewenste Bass niveau in te stellen.
4. Druk op de **Volume draaiknop** om te bevestigen, de display toont "TREBLE 0".
5. Draai aan de **Volume draaiknop** om het gewenste Treble niveau in te stellen.
6. Druk op de **Volume draaiknop** om te bevestigen.

TAAL INSTELLEN

Het bedieningsmenu kan worden ingesteld op diverse talen

1. Druk op de **Aan/Uit toets** om de radio in te schakelen.
2. Druk op de **Menu toets** en draai de **Frequentie draaiknop** tot de display “System” toont.
3. Druk op de **Frequentie draaiknop** en draai daarna de Frequentie draaiknop tot de display “Language” (“Taal”) toont.
4. Druk op de **Frequentie draaiknop** om in het taal-instellingsmenu te gaan.
5. Draai de **Frequentie draaiknop** om de gewenste taal te selecteren. Standaard instelling is Engels.
6. Druk op de **Frequentie draaiknop** om de instelling te bevestigen.

SOFTWARE VERSIE

De weergave van de software kan niet worden aangepast en is alleen voor uw informatie. U kunt de software versie zien in het DAB en FM menu.

1. Druk op de **Aan/Uit toets** om de radio in te schakelen.
2. Kies de FM of DAB modus door het drukken op de **Audiobron keuzetoets (Source)**.
3. Druk op de **Menu toets** en draai de Frequentie draaiknop tot de display “System” toont.
4. Druk op de **Frequentie draaiknop** en draai daarna de Frequentie draaiknop tot de display “SW version” toont.
5. Druk op de **Frequentie draaiknop** om de software versie te zien.
6. Druk op de **Frequentie draaiknop** om terug te keren naar de standard radio-menu.

Opmerking: Een software update mag alleen uitgevoerd door gekwalificeerd servicepersoneel.

SYSTEEM RESET

Als de radio niet correct functioneert of b.v. de weergave in de display ontbreekt, geheel of gedeeltelijk, voer dan de volgende procedure.

1. Druk op de **Aan/Uit toets** om de radio in te schakelen.
2. Druk op de **Menu toets** and draai de **Frequentie draaiknop** tot de display "System" toont.
3. Druk op de **Frequentie draaiknop** en draai daarna de **Frequentie draaiknop** tot de display "Factory reset" toont.
4. Druk op de **Frequentie draaiknop** en draai daarna de **Frequentie draaiknop** om te selecteren tussen "Yes" ("Ja") en "No" ("Nee")
5. Druk op de **Frequentie draaiknop** om de instelling te bevestigen.
6. Een volledige reset wordt uitgevoerd. Het voorkeuze-geheugen wordt gewist en alle instellingen terug gezet naar de zogenaamde "Fabrieksinstellingen".
De display zal "Restarting" aangeven en automatisch het DAB- en FM-frequentiebereik opnieuw scannen.

In geval van storing ten gevolge van electro-statische ontlading, reset de radio als hierboven beschreven. Als dat niet werkt verwijder de stekker uit het stopcontact en de batterijen en sluit deze daarna weer aan.

„In een omgeving met lijnstoring / radiosensitiviteit kan het monster storingen veroorzaken. Het zal automatisch weer normaliseren wanneer de lijnstoring / radiosensitiviteit is gestopt.“

DISPLAY VERLICHTING

LCD display verlichting instellen

1. Druk op de **Aan/Uit toets** om de radio in te schakelen.
2. Druk op de **Menu toets**, en draai daarna de **Frequentie draaiknop** tot "System" op de display verschijnt.
3. Druk op de **Frequentie draaiknop**; draai daarna de **Frequentie draaiknop** tot "LCD backlight" op de display verschijnt.
4. Druk op de **Frequentie draaiknop** om toegang te krijgen tot het LCD display verlichting menu.
5. Draai de **Frequentie draaiknop** om "on" te selecteren, deze instelling laat de LCD display verlichting altijd aan wanneer de radio is aangesloten op het stroomnet.
6. Of draai de **Frequentie draaiknop** om "off" te selecteren (standaard), met deze instelling blijft de LCD display verlichting 10 seconden aan nadat een knop is ingedrukt wanneer deze is aangesloten op het stroomnet.
7. Druk op de **Frequentie draaiknop** om de keuze te bevestigen.

Opmerking: De LCD display verlichting instelling „on" is alleen van toepassing wanneer de radio is aangesloten op het stroomnet. Wanneer de radio speelt op batterijen zal de instelling automatisch naar „off" gaan, waarbij de LCD display verlichting 10 seconden aan gaat nadat een knop is ingedrukt. Wanneer de radio weer wordt aangesloten op het stroomnet zal de laatst ingestelde instelling worden gebruikt.

GARANTIE

Dit product heeft twee jaar garantie.

WAARSCHUWING DE GARANTIE VERVALT INDIEN DE BEHUIZING VAN HET APPARAAT GEOPEND IS OF INDIEN HET APPARAAT DOOR DE EINDGEBRUIKER OP ENIGERLEI WIJZE GEMODIFICEERD OF VERANDERD IS.

De voorwaarden van de garantie van deze radio dekken niet de volgende zaken:

- Schade, beschadigingen en breuk veroorzaakt door verkeerd gebruik, misbruik, verwaarlozing, wijzigingen, ongevallen of ongeautoriseerde reparaties.
- Normale gebruiksslijtage.
- Het breken of buigen van de metalen telescopische antenne.
- Batterijen.

INFORMATIE

Opmerking over milieubescherming:



Dit product werd van kwalitatief hoogwaardige onderdelen en materialen vervaardigd die opnieuw gebruikt en gerecycled kunnen worden. Verwijder dit product daarom aan het eind van zijn leven niet met het normale huisvuil. Breng het naar een verzamelplaats voor het recyclen van elektronische en elektrische apparaten. Hierop wordt door dit symbool op het product, in de gebruikershandleiding en op de verpakking gewezen.

Informeer u over verzamelplaatsen bij de gemeentelijke instanties. Help door het recyclen van niet meer te gebruiken producten mee aan de bescherming van het milieu



NL

Stroombron

Gebruik op netstroom AC 230V, 50/60Hz, wisselstroom

Batterijen:

6 x 1,5V (Alkaline maat IEC LR20 / UM-1 / D-size) of

6 x 1,2V (PerfectPro maat D / HR20 / 1,2V 8000mAh NiMH oplaadbare batterijen)

Batterijen voor back up:

2 x 1,5V (Alkaline Type LR6 / UM-3 / AA-size)

Stroom verbruik (netstroom)

Gebruik: < 47 W

Standby: < 1 W

Frequentiebereik

FM 88 – 108,0 MHz

DAB 174,928 – 239,200 MHz

Speaker

Grootte 2 x Ø100mm

Weerstand 8 ohm

Uitgangsvermogen

Nominaal 2 x 10W

Aux in ingang

Ø 3,5mm

Bluetooth

Versie 4.1

Ondersteuning voor Bluetooth profielen A2DP, AVRCP

2400-2483.5 MHz, max power <20 dBm

USB laden

Maximaal 5V, 1A

Het bedrijf behoudt zich het recht voor om de specificaties te wijzigen zonder voorafgaande kennisgeving.

INHALTSVERZEICHNIS

WICHTIGE SICHERHEITSVORKEHRUNGEN	2
GERÄTEÜBERSICHT	3
STROMVERSORGUNG	4
ALLGEMEINE FUNKTIONEN	7
ERSTMALIGER GEBRAUCH DES RADIOS	8
DAB-MODUS	8
UKW-MODUS	11
LIEBLINGSENDER	13
BLUETOOTH-MODUS	13
USB MODUS	17
HANDY AUFLADEN	19
AUX-IN-MODUS	19
UHRZEIT MANUELL EINSTELLEN	20
LAUTHEIT	20
TON	21
SPRACHEINSTELLUNGEN	21
SOFTWARE-VERSION	22
SYSTEMRÜCKSTELLUNG	22
HINTERGRUNDBELEUCHTUNG	23
GARANTIE	24
INFORMATIONEN	24

DE

WARNUNG! DIE GARANTIE WIRD NICHTIG, FALLS DAS GEHÄUSE DES GERÄTS GEÖFFNET ODER DAS ORIGINALGERÄT MODIFIZIERT ODER VERÄNDERT WURDE



VORSICHT
STROMSCHLAGGEFAHR
NICHT ÖFFNEN

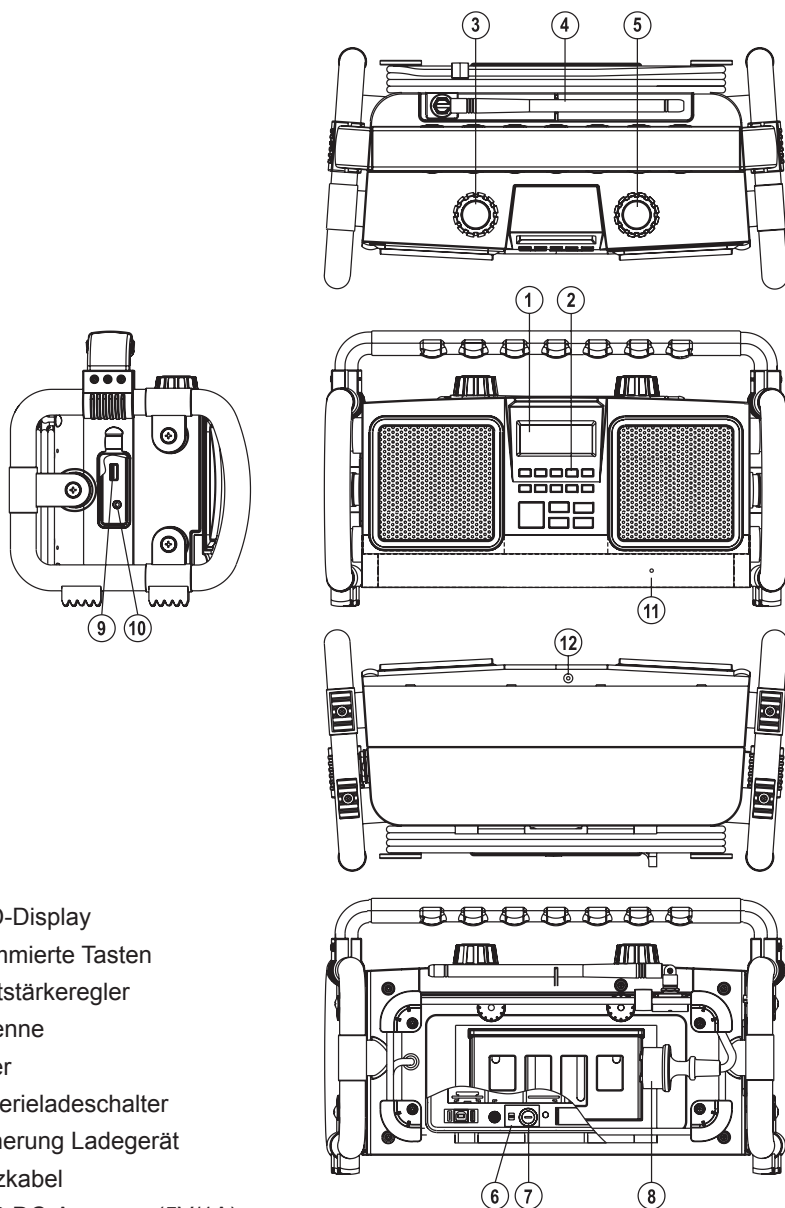
WICHTIGE SICHERHEITSVORKEHRUNGEN

1. Lesen Sie alle Anleitungen durch.
2. Bewahren Sie diese Anleitungen auf.
3. Beachten Sie alle Warnungen.
4. Befolgen Sie alle Anleitungen.
5. Nur mit einem trockenen Lappen reinigen.
6. Die Belüftungsöffnungen dürfen nicht blockiert werden. Nehmen Sie die Installation gemäß den Anleitungen vor.
7. Installieren Sie das Gerät nicht in der Nähe von Wärmequellen wie Heizkörpern, Wärmespeichern, Öfen oder anderen wärmeerzeugenden Geräten (einschließlich Verstärker).
8. Versuchen Sie nicht, die Schutzvorrichtung des gepolten Steckers oder des Schukosteckers zu umgehen. Ein gepolter Stecker verfügt über zwei Kontakte unterschiedlicher Breite. Ein Schukostecker verfügt über zwei Kontaktstifte und einen Schutzkontakt. Der breitere Kontakt bzw. der Schutzkontakt sind Sicherheitsvorrichtungen. Falls der mitgelieferte Stecker nicht in Ihre Steckdose passt, lassen Sie diesen von einem Elektriker austauschen.
9. Verlegen Sie das Netzkabel so, dass niemand darüber stolpern oder es eingequetscht werden kann, insbesondere am Stecker, an Mehrfachsteckdosen und am Austritt vom Gerät.
10. Verwenden Sie nur vom Hersteller mitgeliefertes Zubehör.
11. Verwenden Sie das Gerät nur mit dem Wagen, Gestell, Stativ, Bügel oder Tisch, der vom Hersteller empfohlen bzw. mit diesem Gerät zusammen verkauft wurde. Falls Sie einen Wagen verwenden, dürfen der Wagen und das Gerät zusammen nur sehr vorsichtig umgestellt werden, um Verletzungen durch Umkippen zu vermeiden.
12. Trennen Sie das Gerät während Gewittern und längeren Zeiten des Nichtgebrauchs vom Netzstrom.
13. Lassen Sie Wartungsarbeiten nur von qualifizierten Fachkräften durchführen. Reparaturen sind bei Schäden am Gerät erforderlich, z.B. wenn das Netzkabel oder der Stecker beschädigt wurden, Flüssigkeiten oder Gegenstände in das Gerät eingedrungen sind, das Gerät Regen oder Feuchtigkeit ausgesetzt war, nicht ordnungsgemäß funktioniert oder heruntergefallen ist.
14. Schützen Sie das Gerät vor Regen und Feuchtigkeit, um die Gefahr eines Feuers oder Stromschlags zu vermeiden.
15. Abdeckung nicht entfernen. Es befinden sich keine vom Benutzer zu wartenden Teile im Inneren.
16. Stellen Sie kein offenes Feuer auf das Gerät.
17. Falls Sie das Gerät im Freien nutzen, verwenden Sie bei Regen oder feuchten Wetterbedingungen nur Batterien, um einen Stromschlag zu vermeiden. Falls das Gerät Regen oder Wasser ausgesetzt war, dürfen Sie das Netzkabel und den Stecker erst dann wieder anschließen, wenn diese vollständig getrocknet sind. Anderenfalls besteht Stromschlaggefahr.
18. Schließen Sie den Netzstecker an eine Steckdose an, die leicht zugänglich ist und sich in der Nähe des Geräts befindet. So wird gewährleistet, dass Sie im Notfall einfach nur den Stecker aus der Steckdose ziehen müssen, um das Gerät vom Netzstrom zu trennen.
19. Das Typenschild befindet sich an der Unterseite des Geräts.
20. Dieses Gerät ist spritzwassergeschützt (IP65).
21. Falls das Gerät aufgrund elektrostatischer Entladung oder schneller Stoßspannung nicht mehr richtig funktioniert, ziehen Sie den Netzstecker und schließen das Gerät dann erneut an.
22. Um mögliche Gehörschäden zu vermeiden, setzen Sie sich nicht über längere Zeiträume hohen.



23. Verwenden Sie das Gerät nur in moderaten Klimazonen.

GERÄTEÜBERSICHT



1. LCD-Display
2. Gummierte Tasten
3. Lautstärkereger
4. Antenne
5. Tuner
6. Batterieladeschalter
7. Sicherung Ladegerät
8. Netzkabel
9. USB DC-Ausgang (5V/1A)
10. AUX-Eingang
11. Bluetooth LED-Verbindungsanzeige
12. Mikrofon

DE

STROMVERSORGUNG

Netzbetrieb (AC)

- Überprüfen Sie vor dem Anschluss des Netzkabels, dass die Spannung geeignet ist und dass der **Batterieladeschalter** auf der richtigen Position steht: **ALKALINE** für den Netzbetrieb oder den Betrieb mit Alkalibatterien / **NiMH ON** für den Gebrauch von wiederaufladbaren NiMH-Batterien.
- Falls Sie Alkalibatterien verwenden und der **Batterieladeschalter** auf der Position **ALKALINE** steht, wird der Batteriebetrieb automatisch unterbrochen, sobald Sie das Gerät per Netzstrom betreiben.
- Falls Sie wiederaufladbare NiMH-Batterien verwenden und der **Batterieladeschalter** auf der Position **NiMH ON** steht, wird der Batteriebetrieb automatisch unterbrochen, sobald Sie das Gerät per Netzbetrieb betreiben.
- Die Aufbewahrung für das Netzkabel und den Stecker ist dafür bestimmt, das Netzkabel und den Stecker aufzubewahren, wenn Sie das Radio nicht verwenden oder mit Batterien betreiben.

Hinweis:

Um das Gerät vollständig von der Netzstromversorgung zu trennen, muss der Netzstecker ganz aus der Steckdose gezogen werden. Der Netzstecker muss immer betriebsbereit sein und darf während des bestimmungsgemäßen Gebrauchs nicht blockiert werden.

Falls das Gerät aufgrund elektrostatischer Entladung oder schneller Stoßspannung nicht mehr ordnungsgemäß funktioniert, trennen Sie das Gerät vom Netz und entnehmen Sie alle Batterien. Legen Sie dann die Batterien erneut ein und schließen Sie das Gerät wieder ans Netz an.

Batteriebetrieb

1. Öffnen Sie das Batteriefach, indem Sie die Verriegelungen der Abdeckung zum Lösen links herum drehen und anschließend die Abdeckung nach unten ziehen.
2. Das Gerät kann mit Alkalibatterien (6 x 1,5V Typ IEC LR20 / UM-1 / Größe D) oder mit aufladbaren NiMH-Batterien (6 x 1,2V wiederaufladbarer PerfectPro Akku, Größe D Typ HR20 / 8000mAh) betrieben werden. Setzen Sie den **Batterieladeschalter** im Batteriefach gemäß der eingelegten Batterien auf die entsprechende Position (**ALKALINE** oder **NiMH ON**).
3. Legen Sie die Batterien gemäß der Polaritätsmarkierungen im Inneren des Batteriefachs (+ und -) ein. Schließen Sie das Batteriefach und drehen Sie die Verriegelungen rechts herum fest. Schließen Sie die Abdeckung gut, damit weder Staub noch Feuchtigkeit eindringen können.
4. Falls Sie das Gerät über einen längeren Zeitraum nicht verwenden werden, sollten Sie die Batterien aus dem Radio nehmen.

Im LCD-Display des Radios wird der ungefähre Batteriestatus angezeigt. Falls der Batteriestatus sehr niedrig ist, erscheint im Display die Anzeige „Battery Low!“ und das Batteriesymbol blinkt. In solch einem Fall laden oder ersetzen Sie die Batterien möglichst bald, um den normalen Betrieb des Radios fortzusetzen.

Während der Aufladung der NiMH-Batterien bewegt sich das Batteriesymbol im Display. Diese Animation und der Ladevorgang werden beendet, sobald die Batterien vollständig geladen sind.

Reservebatterien (2 x AA)

Die Reservebatterien sichern die Uhrzeit, falls keine 6 x D Batterien verwendet werden. Es ist erforderlich, Reservebatterien (2 x AA / UM-3) zu installieren, wenn Sie das Gerät nur per Netzstrom betreiben. Ohne die Reservebatterien gehen die Uhrzeiteinstellungen verloren, wenn das Gerät vom Netz getrennt wird oder der Strom ausfällt. Die Reservebatterien werden nicht aufgeladen und sollten einmal pro Jahr ersetzt werden.

Sicherung des Batterieladegeräts austauschen

Das Batterieladegerät verfügt über eine Sicherung, die das Radio während des Ladevorgangs vor Überstrom oder extremer Überspannung schützt. Die Sicherung brennt durch, falls ein Problem am Ladegerät oder der Batterie auftritt (z.B. wenn die Batterie beschädigt wurde). Falls das Ladegerät die Batterien nicht auflädt oder falls sich das Radio nicht mehr mit Batterien betreiben lässt, überprüfen und ersetzen Sie die Batterien und/oder die Sicherung

1. Schalten Sie das Radio aus und trennen Sie das Netzkabel vom Netz.
2. Öffnen Sie das Batteriefach, indem Sie die Verriegelungen der Abdeckung zum Lösen links herum drehen und anschließend die Abdeckung nach unten ziehen.
3. Überprüfen Sie die Batterien sorgfältig auf die richtige Polarität (+ und -) und ersetzen Sie die Batterien, falls diese beschädigt sind. Weitere Details und Hinweise finden Sie im Abschnitt „WICHTIGE INFORMATIONEN ZUM AUFLADEN UND GEBRAUCH VON WIEDERAUFLADBAREN BATTERIEN“.
4. Suchen Sie im Batteriefach die Halterung der Sicherung. Auf der Abdeckung der Halterung steht das Wort „FUSE“.
5. Entfernen Sie die Abdeckung der Sicherung, indem Sie mit einem Schlitzschraubendreher auf die Abdeckung drücken und diese dabei links herum drehen. Die Abdeckung lässt sich nur drehen, wenn Sie darauf drücken. Üben Sie jedoch nicht zu viel Druck aus, um die Sicherung nicht zu beschädigen.
6. Ersetzen Sie die durchgebrannte Sicherung durch eine neue. Die Leistungsangaben sind neben der Halterung der Sicherung aufgedruckt (T4AL 250V). Verwenden Sie nur eine Sicherung desselben Typs.
7. Befestigen Sie die Abdeckung wieder mit dem Schlitzschraubendreher. Drehen Sie den Schraubenzieher vorsichtig rechts herum, während Sie auf die Abdeckung drücken.

Hinweis:

- Sollte die Sicherung unmittelbar wieder durchbrennen, wenn Sie das Gerät ans Netz anschließen oder einschalten, dann weist dies auf ein Problem am Radio oder den Batterien hin. Lassen Sie beides von Ihrem Einzelhändler oder einer Fachkraft überprüfen.
- Die Sicherung schützt auch Alkalibatterien vor Überstrom.

Warnung:

Werden Batterien falsch eingelegt, besteht Explosionsgefahr. Ersetzen Sie Batterien nur durch solche des gleichen Typs.

Sorgen Sie dafür, dass der Batterieladeschalter immer auf der richtigen Position steht.

Alkalibatterien sind nicht wiederaufladbar. Versuchen Sie niemals, Alkalibatterien aufzuladen.

Mischen Sie nicht unterschiedliche Batterietypen.

Verwenden Sie volle Batterien nicht zusammen mit leeren Batterien.

Schützen Sie Batterien vor übermäßiger Hitze wie Sonneneinstrahlung, Feuer oder ähnlichem.

Batterien dürfen nicht verbrannt oder über den normalen Haushaltsmüll entsorgt werden. Entsorgen Sie Batterien, sofern möglich, an entsprechenden Recyclingstellen.

WICHTIGE INFORMATIONEN ZUM AUFLADEN UND GEBRAUCH VON WIEDERAUFLADBAREN BATTERIEN

1. **Laden Sie Batterien mindestens alle 2 Monate auf.**
2. Der Batterieladeschalter neben dem Batteriefach muss auf der Position „CHARGE / NiMH ON“ stehen.
3. **Legen Sie die Batterien unter Berücksichtigung der richtigen Polarität ein (+ und -).**
4. **Erstmaliger Gebrauch: Laden Sie die Batterien mit einem kontinuierlichen, ununterbrochenen Ladevorgang, bis sie voll sind.** Das erstmalige Aufladen kann länger als normale Ladezyklen dauern. Im Hinblick auf eine lange Lebensdauer der Batterien sollten Sie Batterien immer mit einem kontinuierlichen und ununterbrochenen Ladevorgang aufladen, bis sie voll sind und nicht erneut aufladen, solange die Batterien noch voll sind.
5. Neue Batterien erreichen ihre vollständige Kapazität erst nach einiger Zeit (mehrere Lade- und Entladezyklen).
6. Belassen Sie alle Batterien im Radio und entnehmen Sie diese oder einige davon nicht für andere Zwecke. Anderenfalls werden volle und (halb) leere Batterien miteinander vermischt, wodurch die Batterien oder das Radio ernsthaft beschädigt werden könnten.
7. Sie sollten Batterien nur bei Raumtemperatur zwischen 5 Grad und 35 Grad Celsius aufladen. Bei niedrigeren oder höheren Temperaturen kann keine vollständige Ladung erreicht werden.
8. Je nach Kapazität der Batterien kann ein vollständiger Ladevorgang (von „leer“ bis „voll“) einige Stunden dauern, sogar bis zu 10 Stunden oder länger.
9. Laden Sie Batterien nicht auf, wenn das Radio heiß ist oder Wärme bzw. Wärmequellen ausgesetzt ist.

10. Reinigen Sie die Metallkontakte der Batterien und des Ladegeräts im Inneren des Radios von Zeit zu Zeit, z.B. mit einem Kontaktspray.
11. Mischen Sie nicht alte und neue Batterien.
12. Verwenden Sie normale und wiederaufladbare Batterien nicht gemeinsam.
13. Verwenden Sie volle wiederaufladbare Batterien nicht zusammen mit leeren.
14. Verwenden Sie nicht Batterien unterschiedlicher mAh-Kapazität.
15. Verwenden Sie keine beschädigten, verformten oder auslaufenden Batterien.
16. Die Batteriestatusanzeige entspricht einer Schätzung und kann je nach Batterietyp variieren.
17. Batterien können während des Ladevorgangs heiß werden.
18. Unter kalten Bedingungen ist die Kapazität von Batterien viel niedriger als bei normaler Raumtemperatur.
19. Batterien (auch falls im Lieferumfang enthalten) sind Verbrauchsgüter und fallen nicht unter die Garantiebestimmungen für das Radio.
20. Wir empfehlen den Gebrauch von wiederaufladbaren PerfectPro Batterien, da das Radio und das Ladegerät für diese Art von Batterien entwickelt wurden.
21. Vor dem Einlegen der Batterien zunächst immer den Netzstecker aus der Steckdose ziehen.

ALLGEMEINE FUNKTIONEN

1. **Ein- und ausschalten**
Drücken Sie die **Ein-/Ausschalttaste**, um das Gerät ein- oder in Standby umzuschalten.
2. **Umschalten zwischen den Modi DAB / UKW / Bluetooth / AUX-IN**
Mit der Taste **SOURCE** schalten Sie zwischen den einzelnen Modi um.
3. **Radiosender einstellen**
Mit dem **TUNING**-Regler rechts am Gerät stellen Sie Radiosender ein.
4. **Lautstärke einstellen**
Stellen Sie die Lautstärke mit dem VOLUME Lautstärkeregler links am Gerät ein.
5. **Ton einstellen**
Drücken und drehen Sie den **Lautstärkeregler** links am Gerät, um Tief- und Hochtöne einzustellen.
6. **Stereo oder Mono einschalten (nur im UKW-Modus)**
Drücken Sie die Taste **MONO/STEREO**, um zwischen UKW Mono oder UKW Stereo umzuschalten.
7. **Gerät per Bluetooth mit einem Handy koppeln**
Wählen Sie in der Bluetooth-Einstellung an Ihrem Handy das Gerät „**Workstation**“.
8. **Im Bluetooth-Modus Musik von einem Handy abspielen**
Verwenden Sie dafür den Media Player Ihres Handys.

9. **Im Bluetooth-Modus Musik auf einem gekoppelten Handy über das Workstation Radio abspielen**
Drücken Sie die Tasten **▶II**, **▶▶I** und **I◀◀** (Speichertasten 3, 4 und 5).
10. **Eingehende Anrufe mit dem Workstation Radio annehmen**
Drücken Sie auf den Regler **TUNING (Hörer-Symbol)** rechts am Gerät, um einen Anruf anzunehmen oder zu beenden.
11. **Im Bluetooth-Modus die zuletzt angerufene Nummer erneut wählen**
Halten Sie den Regler **TUNING (Hörer-Symbol)** rechts am Gerät länger als 2 Sekunden gedrückt.
12. **Handy aufladen mit dem Workstation Radio**
Schließen Sie das Handy an den **USB-Port** links am Gerät an. Verwenden Sie dafür ein geeignetes Kabel (nicht im Lieferumfang enthalten).

ERSTMALIGER GEBRAUCH DES RADIOS

1. Stellen Sie das Radio auf einen flachen Untergrund.
2. Ziehen Sie die Antenne oben am Gerät vorsichtig aus. Richten Sie die Antenne vertikal über dem Radio aus.
3. Schließen Sie das Netzkabel an eine Steckdose (AC) an. Das Radio wird eingeschaltet und im Display erscheint einige Sekunden lang die Anzeige „WELCOME TO DIGITAL RADIO“. Das Radio sucht dann automatisch nach Sendern der Band III DAB und UKW Frequenzbänder. Die Anzeige „Scanning“ erscheint im DAB-Modus und „Auto“ im UKW-Modus.
4. Nach dem Scan werden die 10 stärksten UKW-Sender als Favorit gespeichert. Das Radio schaltet nun in den Standby-Modus über und im Display werden die aktualisierte Uhrzeit und das Datum angezeigt.
5. Werden keine Signale gefunden, wird die Uhrzeit nicht aktualisiert. Stellen Sie das Radio gegebenenfalls an einen anderen Ort mit besserem Empfang.

DAB-MODUS (DAB – DAB+)

Radiobetrieb – DAB

1. Ziehen Sie die Antenne vorsichtig aus. Drücken Sie die **Ein-/Ausschalttaste**, um das Radio einzuschalten.
2. Stellen Sie mit der Taste **SOURCE** das Frequenzband DAB ein.
3. Der erste gefundene Sender der Senderliste wird wiedergegeben. Im Display erscheint der Sendername. Falls Sie das Radio bereits früher verwendet haben, schaltet das Gerät den zuletzt angehörten Sender ein.
4. Werden keine DAB-Signale empfangen, erscheint im Display die Anzeige „No stations available“. Stellen Sie das Gerät gegebenenfalls an einen anderen Ort mit besserem Empfang. Führen Sie dann eine automatische Sendersuche durch, siehe Abschnitt **„Neue Sender auffinden - DAB“**.

Sender einstellen – DAB

1. Schalten Sie das Radio mit der **Ein-/Ausschalttaste** ein.
2. Stellen Sie mit der Taste **SOURCE** das Frequenzband DAB ein.
3. Im Display erscheint einige Sekunden lang die Anzeige „Connecting“.
4. Im Display wird der Name des aktuellen Senders angezeigt.
5. Drehen Sie den **TUNING**-Regler, um durch die Liste der verfügbaren Sender zu scrollen.
6. Sobald der gewünschte Sender im Display erscheint, drücken Sie den **TUNING**-Regler, um den Sender wiederzugeben.

Hinweis: Falls nach der Auswahl eines Senders im Display die Anzeige „No stations available“ erscheint, ist es eventuell erforderlich, das Radio an einen anderen Ort mit besserem Empfang zu stellen.

Zusatzdienste – DAB

1. Einige Radiostationen bieten einen oder mehrere Zusatzdienste an. Bietet ein Sender einen Zusatzdienst an, wird der Zusatzdienst unmittelbar nach dem primären Dienst angezeigt, wenn Sie den **TUNING**-Regler drehen.
2. Drücken Sie den **TUNING**-Regler, um den Zusatzdienst auszuwählen.

Die meisten Zusatzdienste werden nicht kontinuierlich übertragen. Falls der ausgewählte Dienst nicht verfügbar ist, schaltet das Radio automatisch den primären Dienst ein.

DE

Anzeigeoptionen – DAB

Im DAB-Modus kann das Radio eine Vielzahl von Informationen anzeigen. Drücken Sie die Taste **INFO**, um durch die unterschiedlichen Anzeigeoptionen zu scrollen.

- | | |
|--------------------------|---|
| a. Lauftext | Anzeige von Lauftexten, z.B. Senderinfos, Interpret/ Titelname, Hotline, usw. |
| b. Signalstärke | Anzeige der aktuellen Signalstärke. Das leere Rechteck weist auf die Mindestsignalstärke hin, die für einen zufriedenstellenden Empfang erforderlich ist. |
| c. Programmtyp | Anzeige des aktuellen Sendertyps, z.B. Pop, Klassik, Nachrichten, usw. |
| d. Multiplex-Name | Anzeige des Multiplex-Namens, zu dem der aktuelle Sender gehört. |
| e. Sender & Frequenz | Anzeige der Sendernummer und Frequenz des aktuell eingestellten DAB-Senders. |
| f. Bitrate & Audioformat | Anzeige von digitaler Audio-Bitrate und Audioformat. |
| g. Uhrzeit & Datum | Anzeige von aktueller Uhrzeit und Datum. |

Neue Sender auffinden – DAB

Von Zeit zu Zeit wird es neue Sender geben. Suchen Sie Sender wie folgt:

1. Drücken Sie im DAB-Modus die Taste **MENU**. Im Display erscheint die Anzeige „Full scan“.
2. Drücken Sie **TUNING**. Das Radio führt einen Scan aller Band III DAB-Kanäle durch. Wenn neue Sender gefunden werden, erhöht sich der Zähleranzeige rechts im Display und die neuen gefundenen Sender werden der Senderliste des Radios hinzugefügt.

Manuelle Sendersuche – DAB

Alternativ haben Sie die Möglichkeit, manuell nach Sendern zu suchen. Anstatt das gesamte Band III automatisch zu scannen, können Sie einen Ihnen bekannten DAB-Sender direkt einstellen und alle mit diesem Sender verfügbaren Multiplex-Namen in der Senderliste speichern.

1. Drücken Sie im DAB-Modus die Taste **MENU** und drehen Sie den **TUNING**-Regler, bis im Display die Anzeige „Manual Tuning“ erscheint. Drücken Sie dann **TUNING**. Im Display werden der DAB-Sender und die Frequenz angezeigt.
2. Drehen Sie den **TUNING**-Regler, um den gewünschten Kanal oder die Frequenz zu suchen. Drücken Sie **TUNING**, um den ausgewählten Kanal einzuschalten.
3. Wenn auf dem eingestellten Kanal ein DAB-Sender verfügbar ist, wird dessen Name im Display angezeigt. Alle neu gefundenen Sender werden der Senderliste des Radios hinzugefügt.
4. Die im Display angezeigte Signalstärke spiegelt die Empfangsqualität des Senders wider. Das leere Rechteck weist auf die Mindestsignalstärke hin, die für einen zufriedenstellenden Empfang erforderlich ist. Wenn Sie die Antenne ausrichten oder das Radio umstellen, verändert sich die Signalanzeige mit der Signalstärke.
5. Wiederholen Sie die Schritte 1 bis 4, um weitere Kanäle zu suchen.
6. Drücken Sie die Taste **MENU** zweimal, um die manuelle Sendersuche zu beenden und zum normalen DAB-Betrieb zurückzukehren.

Dynamikbereich-Einstellungen (DRC) – DAB

Die Einstellung des Dynamikbereichs kann leise Töne besser hörbar machen, wenn Sie das Radio in einer lauten Umgebung benutzen.

1. Drücken Sie im DAB-Modus die Taste **MENU** und drehen Sie den **TUNING**-Regler, bis im Display die Anzeige „DRC value“ erscheint. Drücken Sie dann **TUNING**.
2. Drehen Sie den **TUNING**-Regler, um die gewünschte DRC-Einstellung auszuwählen (AUS ist die Standardeinstellung).

DRC off	DRC ist deaktiviert, übertragene DRC-Einstellung wird ignoriert.
DRC high	DRC ist aktiviert und entspricht der Einstellung der Sendung.
DRC low	DRC beträgt 1/2 der Einstellung der Sendung.

3. Drücken Sie **TUNING**, um Ihre Einstellungen zu bestätigen. Das Display kehrt zur normalen Anzeige zurück.

Hinweis: Nicht alle DAB-Sendungen unterstützen die DRC-Funktion. Bei Sendungen, die DRC nicht unterstützen, sind die DRC-Einstellungen des Radios ohne Effekt.

Sender löschen – DAB

Falls Sie umziehen, werden einige der Sender in der Liste möglicherweise nicht mehr empfangen. Einige DAB-Dienste werden im Laufe der Zeit auch aufgegeben oder ändern ihren Standort oder ihre Frequenz. Zum Entfernen solcher DAB-Sender von der Senderliste können Sie diese DAB-Sender löschen.

1. Drücken Sie im DAB-Modus die Taste **MENU**.
2. Drehen Sie **TUNING**, bis im Display „Prune“ erscheint.
3. Drücken Sie **TUNING**, um die Einstellung zu öffnen.
4. Drehen Sie **TUNING** zur Auswahl von „Yes“ oder „No“ (No ist Standardeinstellung). Wählen Sie „Yes“, um diese Funktion zu aktivieren, oder wählen Sie anderenfalls „No“.
5. Drücken Sie **TUNING** zum Bestätigen Ihrer Einstellung. Das Display kehrt zum letzten Menü zurück. Drücken Sie **MENU**, um zur normalen Radioanzeige zurückzukehren.

Hinweis: Wenn Sie Ihr Radio an einem anderen Standort verwenden, sollten Sie eine neue Suche nach Radiosendern durchführen (siehe Abschnitt „Neue Sender auffinden – DAB“).

DE

UKW-MODUS

Radiobetrieb – Sendersuche UKW

1. Schalten Sie das Radio mit der Ein-/Ausschalttaste ein.
2. Stellen Sie mit der Taste **SOURCE** den UKW-Modus ein.
3. Schalten Sie den UKW-Modus zum ersten Mal ein, wird der voreingestellte Sender auf Speicherplatz 1 abgespielt. Wurde das Radio bereits früher benutzt, wird der zuletzt angehörte Sender eingeschaltet.
4. Drücken Sie **TUNING**, um die Sendersuche zu starten. Die Suche wird automatisch unterbrochen, sobald das Radio einen Sender mit ausreichender Signalstärke gefunden hat.
5. Nach einigen Sekunden wird das Display aktualisiert. Liegen RDS-Daten vor, wird der Sendername angezeigt.
6. Drücken Sie **TUNING** erneut, um weitere Sender zu suchen.
7. Um Sender in entgegengesetzter Richtung zu suchen, drehen Sie **TUNING** rechts herum (um von den niedrigen zu den hohen Frequenzen zu suchen) oder links herum (um von den hohen zu den niedrigen Frequenzen zu suchen) und drücken Sie dann **TUNING**.
8. Am Ende des Wellenbands setzt das Radio die Suche am anderen Ende des Wellenbands fort.

Manuelle Sendersuche – UKW

1. Schalten Sie das Radio mit der **Ein-/Ausschalttaste** ein.
2. Stellen Sie mit der Taste **SOURCE** den UKW-Modus ein.
3. Drehen Sie **TUNING**, um einen UKW-Sender einzustellen. Die Frequenz ändert sich in Schritten von 50 kHz.
4. Drehen Sie die Gummiantenne für einen optimalen Empfang. Falls das Radio einen Sender mit ausreichender Signalstärke und mit verfügbaren RDS-Daten empfängt, dann erscheint im Display der Sendername.
5. Am Ende des Wellenbands setzt das Radio die Suche am anderen Ende des Wellenbands fort.

RDS-Optionen – UKW

RDS (Radio Data System) ist ein System, bei dem nicht hörbare digitale Informationen zusätzlich zum normalen UKW-Radioprogramm übertragen werden. Falls das Radio einen RDS-Sender mit ausreichender Signalstärke empfängt, erscheint der Sendername im Display. Es kann einige Zeit dauern, bis die RDS-Daten übertragen werden.

RDS-Daten aufrufen

Drücken Sie, wenn Sie einen UKW-Sender mit RDS-Daten anhören, wiederholt die Taste INFO, um durch die Daten zu scrollen. Dies funktioniert nur, wenn das Signal stark genug und klar ist.

- | | |
|----------------------|---|
| a. Radiotext (RT) | Anzeige der Nachricht über den aktuell eingestellten Sender als Lauftext. |
| b. Programmtyp (PTY) | Anzeige des jeweiligen Sendertyps, z.B. Pop, Klassik, Nachrichten, usw. |
| c. Frequenz | Anzeige der Frequenz des aktuell eingestellten Senders. |
| d. Signalstärke | Anzeige der Signalstärke. |
| e. Uhrzeit & Datum | Anzeige von Uhrzeit (24-Stundenformat) und Datum. |

Empfindlichkeit der Sendersuche – UKW

Das Radio sucht normalerweise alle UKW-Sender einschließlich solcher mit schwächerem Signal. Sie können die automatische Sendersuche jedoch auch benutzen, um nur Sender zu finden, deren Signal stark genug für einen guten Empfang ist.

1. Schalten Sie das Radio mit der **Ein-/Ausschalttaste** ein.
2. Stellen Sie mit der Taste **SOURCE** den UKW-Modus ein.
3. Drücken Sie **MENU**. Im Display erscheint „Scan setting“.
4. Drücken Sie **TUNING**.
5. Drehen Sie **TUNING** zur Auswahl von „All stations“ oder „Strong station“ („All stations“ ist die Standardeinstellung). Mit der Option „Strong station“ sucht das Radio nur nach Sendern mit starkem Signal.

6. Drücken Sie **TUNING** zur Bestätigung Ihrer Einstellungen. Das Display kehrt zur normalen Radioanzeige zurück.

LIEBLINGSENDER

Sender als Favorit speichern

Sie können bis zu 20 Radiosender speichern – 10 DAB-Sender und 10 UKW-Sender. Die Speichereinstellungen werden auch bei einem Stromausfall beibehalten.

1. Schalten Sie das Radio mit der **Ein-/Ausschalttaste** ein.
2. Stellen Sie mit **SOURCE** das gewünschte Wellenband ein.
3. Stellen Sie den gewünschten Radiosender ein.
4. Halten Sie die entsprechende **Speichertaste** gedrückt, bis das Radio einmal piept und im Display die Anzeige „Stored“ erscheint.
5. Wiederholen Sie die Schritte 3 und 4 für weitere Sender.
6. Bereits gespeicherte Sender können durch Befolgen obiger Vorgehensweise überschrieben werden.

Gespeicherte Radiosender einschalten

1. Schalten Sie das Radio mit der **Ein-/Ausschalttaste** ein.
2. Stellen Sie mit **SOURCE** das gewünschte Wellenband ein.
3. Drücken Sie kurz die gewünschte **Speichertaste**. Im UKW-Modus erscheint z.B. oben rechts im Display die Anzeige „P1“.

DE

BLUETOOTH

Per Bluetooth mit einem Handy koppeln

1. Schalten Sie das Radio mit der **Ein-/Ausschalttaste** ein.
2. Stellen Sie mit **SOURCE** den Bluetooth-Modus ein.
3. Die blaue **Bluetooth LED-Verbindungsanzeige** an der Vorderseite blinkt, falls das Workstation Radio noch nicht mit Ihrem Handy gekoppelt wurde.
4. Öffnen Sie an Ihrem Handy das Einstellungsmenü und wählen Sie die Bluetooth-Option. Wählen Sie in der Bluetooth-Geräteliste „**Workstation**“ (Die Bluetooth-Anleitungen können je nach Handy variieren. Informieren Sie sich in der Bedienungsanleitung Ihres Handys entsprechend).
5. Nach der erfolgreichen Bluetooth-Kopplung hört die **Bluetooth LED-Verbindungsanzeige** auf zu blinken und im Display erscheint die Anzeige „Bluetooth Connected“.

Musik von Ihrem Handy abspielen

1. Schalten Sie das Radio mit der **Ein-/Ausschalttaste** ein.
2. Stellen Sie mit **SOURCE** den Bluetooth-Modus ein.
3. Öffnen Sie an Ihrem gekoppelten Handy den Media Player und starten Sie die Wiedergabe.
4. Sie können die Wiedergabe direkt am Handy oder mit den Tasten **▶II**, **▶▶I** und **I◀◀** (Speichertasten 3, 4 und 5) am Radio steuern.

Eingehende Anrufe über das Workstation Radio annehmen

Die Freisprecheinrichtung erlaubt Ihnen, während des Betriebs im Bluetooth-, DAB-, FM-, oder AUX-IN-Modus eingehende Anrufe entgegenzunehmen.

1. Drücken Sie **TUNING (Hörersymbol)** rechts am Gerät, um den Anruf anzunehmen.
2. Sprechen Sie in das Mikrofon in der Mitte des Radios.
3. Stellen Sie die Gesprächslautstärke mit dem **Lautstärkeregler** ein. Ein mögliches Echo während des Gesprächs kann durch eine niedrigere Lautstärkeeinstellung reduziert werden.
4. Drücken Sie **TUNING (Hörer-Symbol)** erneut, um den Anruf zu beenden.

Hinweise: Der Klingelton ist während der ersten 20 Sekunden am lautesten. Anschließend wird die Lautstärke auf die vorher verwendete Einstellung zurückgesetzt. Durch Drehen des **Lautstärkereglers** oder Drücken von **TUNING (Hörer-Symbol)** kehren Sie ebenfalls zur vorher verwendeten Lautstärkeeinstellung zurück.

Wahlwiederholung

Die Freisprecheinrichtung ermöglicht Ihnen, die mit Ihrem Handy zuletzt gewählte Nummer erneut zu wählen (nur im Bluetooth-Modus).

1. Schalten Sie das Radio mit der **Ein-/Ausschalttaste** ein.
2. Schalten Sie mit **SOURCE** den Bluetooth-Modus ein.
3. Halten Sie **TUNING (Hörer-Symbol)** rechts am Gerät länger als 2 Sekunden gedrückt, um die zuletzt gewählte Nummer an Ihrem Handy erneut zu wählen.
4. Stellen Sie die Lautstärke ggf. mit dem **Lautstärkeregler** ein.
5. Drücken Sie **TUNING (Hörer-Symbol)** erneut, um den Anruf zu beenden.

Bluetooth-Optionen

Wählen Sie für die Bluetooth-Funktion eine der nachfolgenden Einstellungen:

1. Drücken Sie im Bluetooth-Modus die Taste **MENU**, um die Systemeinstellungen zu öffnen.
2. Drehen Sie **TUNING**, bis im Display „Bluetooth“ angezeigt wird. Drücken Sie **TUNING**.

3. Drehen Sie **TUNING** zur Auswahl von „BT always on“, „BT mode only“ oder „Disconnect BT“ und drücken Sie **TUNING**, um die gewünschte Einstellung zu übernehmen.
- a. BT always on Bluetooth ist aktiviert, wenn das Workstation Radio eingeschaltet ist. Sie können im Bluetooth-Modus Musik abspielen und in allen Betriebsmodi per Freisprecheinrichtung Anrufe annehmen, auch dann, wenn Sie Radio hören. Die blaue **Bluetooth LED-Verbindungsanzeige** leuchtet bei dieser Einstellung in allen Betriebsmodi (UKW, DAB, Bluetooth und AUX-IN).
- b. BT mode only Die Bluetooth-Funktion wird nur im Bluetooth-Modus aktiviert. Sie können nur im Bluetooth-Modus Musik abspielen und per Freisprecheinrichtung Anrufe annehmen. Die blaue **Bluetooth LED-Verbindungsanzeige** leuchtet bei dieser Einstellung nur im Bluetooth-Modus.
- c. Disconnect BT Die Bluetooth-Verbindung mit Ihrem Handy wird getrennt und der „erkennbare Modus“ aktiviert (die blaue **Bluetooth LED-Verbindungsanzeige** blinkt solange, bis eine neue Verbindung hergestellt wird). In dieser Einstellung können Sie Ihr Radio mit einem anderen Gerät koppeln. Falls Sie kein neues Gerät koppeln, wird Bluetooth versuchen, die Verbindung mit dem zuletzt gekoppelten Gerät herzustellen, wenn dieses aus- und wieder eingeschaltet wird.

DE

Hinweis: Die Lautstärke Ihres Handys beeinflusst die Lautstärke der Musikübertragung und von eingehenden Anrufen an Ihrem Workstation Radio.

Im Bluetooth-Modus wird der automatische Stromsparmmodus aktiviert. Erfolgt am Aux-Eingang innerhalb von 15 Minuten keine Signaleingabe*, schaltet das Workstation Radio automatisch den Standby-Modus ein. Drücken Sie die **Ein-/Ausschalttaste**, um das Gerät wieder einzuschalten.

Bluetooth-LED-Konfiguration

1. Betätigen Sie die **Ein-/Ausschalttaste**, um das Radio einzuschalten.
2. Betätigen Sie die **Taste MENU**, und drehen Sie dann den **TUNING**, bis das Display „System“ anzeigt.
3. Drücken Sie auf den **TUNING**, und drehen Sie ihn, bis das Display „Bluetooth LED“ anzeigt.
4. Drücken Sie auf den **TUNING**, um das Menü für die Anpassung der Bluetooth-LED aufzurufen.
5. Drehen Sie den **TUNING**, um „on“ (Standard) auszuwählen, damit die Bluetooth-LED immer leuchtet, wenn eine Verbindung besteht.
6. Oder drehen Sie den **TUNING**, um „off“ auszuwählen, damit die Bluetooth-LED deaktiviert wird, wenn eine Bluetooth-Verbindung hergestellt wurde.
7. Drücken Sie auf den **TUNING**, um Ihre Auswahl zu bestätigen.

USB MODUS

VERWENDEN SIE DEN SD EINGANG NICHT BEI REGEN ODER UNTER FEUCHTEN BEDINGUNGEN, DAMIT KEINE FEUCHTIGKEIT IN DAS RADIO EINDRINGEN KANN. HALTEN SIE DIE GUMMIABDECKUNG UNTER SOLCHEN BEDINGUNGEN GUT VERSCHLOSSEN.

USB-Speichermedien können mit dem Radio für die Wiedergabe von MP3, AAC, FLAC oder WAV-Dateien benutzt werden.

Der Radio wurde mit einer großen Palette von USB-Speichermedien getestet mit einer Kapazität von 2 bis zu 32 GB unterstützt. Da allerdings eine besonders große Anzahl von USB-Speichermedien auf dem Markt vorhanden ist, kann es nicht garantiert werden, dass alle Speichermedien mit dem Radio benutzt werden können. Um mit dem Radio benutzt werden zu können, müssen die verwendeten Speichermedien mit den Dateisystemen FAT oder FAT 32 formatiert sein.

Die unterstützten Audio-Abspielformate sind MP3, AAC, FLAC und WAV. Die Abspielfunktion unterstützt keine Dateien mit DRM-Schutz (unabhängig vom Format).

Stellen Sie sicher, dass die Gummiabdeckung nach der Benutzung wieder gut verschlossen wird, um das Eindringen von Schmutz und Feuchtigkeit zu verhindern. \ Ziehen Sie den USB-Stick während der Wiedergabe nicht ab. Dies kann zu Schäden an den USB-Stick führen, oder machen Sie Dateien nicht lesbar.

USB-Stick ist nicht im Lieferumfang enthalten.

Hinweis: Wenn das Radio einen USB-Stick abspielt, wird aufgrund des höheren Energieverbrauchs dieser Funktion das Laden der Batterien angehalten, um die normale Funktion und die Qualität des USB-Abspielvorgangs zu wahren. Sobald der USB-Stick entfernt wird, wird der normale Ladevorgang fortgesetzt.

DE

Einsetzen und Entfernen eines USB-Speichergeräts

Stecken Sie vorsichtig ein USB-Speichergerät in den USB-Anschluss.

Um das USB-Speichergerät zu entfernen, ziehen Sie es einfach heraus.

Wiedergabe

1. Schalten Sie das Radio mit der **Ein-/Ausschalttaste** ein.
2. Stellen Sie mit **SOURCE** den USB-Modus ein. Auf dem Display erscheint "READING". Das Radio liest den Inhalt des Speichermediums ein. Dieser Vorgang dauert ca. 30 Sekunden, je nach dem wie groß die Kapazität des Speichermediums ist.
3. Das Radio Started die Wiedergabe von der ersten Datei (Musiktitel) in dem ersten Verzeichnis. Ohne Speichermediums, erscheint auf dem Display "NO USB STICK".
4. Drücken Sie die **Wiedergabe-Taste** um die Wiedergabe vorübergehend anzuhalten und drücken Sie die Wiedergabe-Taste erneut, um mit der Wiedergabe fortzufahren.
5. Drücken Sie die **Schnellvorlauf-Taste**, um zur nächsten Datei zu springen.
6. Drücken Sie die **Schnellrücklauf-Taste**, um zur vorigen Datei zu Springen.
7. Um die Datei vorwärts oder rückwärts zu spülen, halten Sie die **Schnellvorlauf-Taste** oder Snellrücklauf-Taste bis Sie die gewünschte Position erreicht hat.
8. Um den nächsten Verzeichnis zu wählen, drücken Sie die **Verzeichnis vor-Taste**
9. Um den vorherigen Verzeichnis zu wählen, drücken Sie die **Verzeichnis zurück-Taste**.

Dateiauswahl

1. Halten Sie **TUNING** für 3 Sekunden gedrückt, um die Dateiauswahlfunktion aufzurufen. Die obere Zeile der Anzeige zeigt die Nummer des gewählten Verzeichnisses und die Gesamtzahl der Verzeichnisse. In der zweiten Zeile verschijnt der Name des gewählten Verzeichnisses.
2. Drehen Sie **TUNING** zur Auswahl des gewünschten Verzeichnisses und drücken Sie dann auf **TUNING** zur Bestätigung. In der Anzeige erscheint die erste Datei des gewählten Verzeichnisses.
3. Drehen Sie **TUNING**, um die gewünschte Datei zu suchen. Drücken Sie auf **TUNING** um die gewünschte Datei auszuwählen. Das Radio startet dann die Wiedergabe der ausgewählten Datei.

Das Radio unterstützt eine begrenzte Anzahl Verzeichnissen und Dateien in der Dateiauswahl-funktion:

Modi	Max. Anzahl Verzeichnissen	Max. Anzahl Verzeichnissen
Stopp	999 (mit Verzeichnisnamen)	9999 (mit Dateinamen)
Abspielen	999 (1-99 mit Verzeichnisnamen) (100-999 ohne Verzeichnisnamen)	9999 (1-999 mit Dateinamen) (1000-9999 ohne Dateinamen)

Wiedergabesteuerung

Während der Wiedergabe von USB Stick,

1. Drücken Sie **MENU**.
2. Drehen Sie **TUNING**, bis im Display die Anzeige "PLAY MODE" erscheint. Drücken Sie **TUNING**.
3. Drehen Sie **TUNING** um die "PLAY MODE" zu wählen. Drücken Sie **TUNING** zur Bestätigung.

Das Radio zeigt die folgenden Optionen:

Repeat 1 ->	Repeat Folder ->	Repeat All ->	Random ->	Normal Play
Repeat 1	wiederholt den aktuellen Titel			
Repeat Folder	wiederholt alle Dateien innerhalb des aktuellen Verzeichnisses			
Repeat All	wiederholt alle Titel auf den Speichermedien			
Random	die Dateien auf den Speichermedien werden in zufälliger Reihenfolge abgespielt			

Der ausgewählte Wiedergabemodus wird rechts von der oberen Zeile des Displays durch ein Symbol angezeigt.

Im Normal Play-Modus wird kein Symbol angezeigt.

Anzeigemodi

Drücken Sie **INFO** und Sie erhalten Zugriff auf die folgenden Informationen:
Dateiname -> Verzeichnisname -> Interpret -> Gesamtzahl der vorhandenen Dateien auf dem Speichermedium -> Uhrzeit und Datum -> Wiedergabestatus (Wiedergabezeit)

HANDY AUFLADEN

Der USB-Port links am Gerät bietet 5V/1A DC-Strom zum Aufladen eines Handys. Schließen Sie das Handy mit einem geeigneten Kabel (nicht im Lieferumfang enthalten) an den USB-Port an. Die USB-Stromversorgung ist in allen Modi, einschließlich Standby, verfügbar.

Bitte informieren Sie sich in der Bedienungsanleitung Ihres Handys, ob es per USB-Stromversorgung aufgeladen werden kann.

Warnung: Verwenden Sie den USB-Port nicht bei Regen oder unter feuchten Bedingungen, damit keine Feuchtigkeit in das Radio eindringen und dadurch ein Kurzschluss verursacht werden kann. Halten Sie die Gummiabdeckung unter solchen Bedingungen immer gut verschlossen.

Zum Aufladen von Handys via USB-Port sollten Sie Wechselstrom verwenden. Der Anschluss an ein Gleichstromnetz zum Aufladen des Handys per USB-Port ist zwar auch möglich, führt jedoch dazu, dass Batteriestrom verbraucht und die Batterien dadurch schneller leer werden.

AUX-IN-MODUS

Unter der Gummiabdeckung an der Seite des Geräts befindet sich ein 3,5 mm Aux-In Stereoeingang, an den externe Audiogeräte wie z.B. MP3-Spieler oder CD-Spieler angeschlossen werden können (Aux-Kabel nicht im Lieferumfang enthalten).

1. Schließen Sie ein Audiogerät an den Aux-Eingang an.
2. Schalten Sie mit **SOURCE** den AUX-In-Modus ein. Im Display erscheint „AUX IN“.
3. Starten Sie die Wiedergabe am externen Gerät.
4. Stellen Sie sowohl am Radio als auch am externen Gerät die **Lautstärke** entsprechend ein.
5. Schließen Sie nach dem Gebrauch die Gummiabdeckung, damit weder Feuchtigkeit noch Staub in die Anschlüsse oder das Radio eindringen können.

Hinweise: Verwenden Sie den Aux-Eingang nicht bei Regen oder unter feuchten Bedingungen, damit keine Feuchtigkeit in das Radio eindringen kann. Halten Sie die Gummiabdeckung unter solchen Bedingungen gut verschlossen.

Im AUX-IN-Modus wird der automatische Stromsparmodus aktiviert. Erfolgt am Aux-Eingang innerhalb von 15 Minuten keine Signaleingabe*, schaltet das Workstation Radio automatisch den Standby-Modus ein. Drücken Sie die **Ein-/Ausschalttaste**, um das Gerät wieder einzuschalten.

* Der Standby-Modus wird auch dann aktiviert, wenn das eingehende Signal vom externen Gerät zu schwach ist und vom Stromsparmodus über einen Zeitraum von 15 Minuten nicht erkannt wird.



Um dies zu verhindern, erhöhen Sie den Ausgangspegel des externen Geräts entsprechend, um erkannt zu werden.

UHRZEIT MANUELL EINSTELLEN

Die Uhrzeit lässt sich manuell nur einstellen, wenn sich das Radio im Standby-Modus befindet. Wenn Sie innerhalb von 5 Sekunden keine Taste drücken, verlässt das Radio die Uhrzeiteinstellung und Ihre Einstellungen werden gelöscht.

1. Halten Sie **TIME SET** 12 Sekunden lang gedrückt, bis die Stundenanzeige im Display blinkt.
2. Drehen Sie **TIME SET** zur Einstellung der Stunden.
3. Drücken Sie **TIME SET** zum Bestätigen. Die Minutenanzeige beginnt zu blinken.
4. Drehen Sie **TIME SET** zur Einstellung der Minuten.
5. Drücken Sie **TIME SET** zum Bestätigen. Die Tagesanzeige beginnt zu blinken.
6. Drehen Sie **TIME SET** zur Einstellung des Datums.
7. Drücken Sie **TIME SET** zur Bestätigung. Die Monatsanzeige beginnt zu blinken.
8. Drehen Sie **TIME SET** zur Einstellung des Monats.
9. Drücken Sie **TIME SET** zum Bestätigen. Die Jahresanzeige beginnt zu blinken.
10. Drehen Sie **TIME SET** zur Einstellung des Jahres.
11. Drücken Sie **TIME SET** zum Bestätigen. Im Display blinkt die Anzeige „SYNCLOCK ON“.
12. Drehen Sie **TIME SET** zur Auswahl von „SYNCLOCK ON“ oder „SYNCLOCK OFF“.
13. Drücken Sie **TIME SET**, um Ihre Auswahl zu bestätigen und um die Uhrzeiteinstellung zu beenden.

Synchronisation der RDS-Zeit

Bei der Auswahl der Option „SYNCLOCK ON“ erscheint im Display die Anzeige “  ”. Einige RDS-Sender übertragen ein Zeitsignal. Falls der Empfang gut ist und Sie während der Einstellung der Uhrzeit die Option „SYNCLOCK ON“ ausgewählt haben, wird die Uhrzeit automatisch aktualisiert (“  ” blinkt im Display). Die Synchronisation der Zeit kann einige Minuten dauern. Die automatische Uhrzeiteinstellung ist immer aktiviert, wenn Sie vom Standby-Modus aus UKW-Sender mit RDS-Übertragung einschalten.

LAUTHEIT

Die **Lautheit**-Funktion ermöglicht die Kompensation auf niedrigen und hohen Frequenzen.

Der Effekt ist besser hörbar, wenn am Radio eine niedrigere Lautstärke (dynamische Lautheit) eingestellt ist.

1. Schalten Sie das Radio mit der **Ein-/Ausschalttaste** ein.
2. Drehen Sie die Taste **MENU** und anschließend **TUNING**, bis im Display die Anzeige „System“ erscheint.
3. Drücken Sie **TUNING**. Drehen Sie **TUNING**, bis im Display die Anzeige „Loudness“ erscheint.
4. Drehen Sie **TUNING** zur Auswahl von „Loudness On“ oder „Loudness Off“. Drücken Sie **TUNING**, um Ihre Auswahl zu bestätigen und zur normalen Anzeige zurückzukehren.

TON

Mit der **Ton**-Funktion können Sie niedrige und höhere Tonfrequenzen konfigurieren.

1. Schalten Sie das Radio mit der **Ein-/Ausschalttaste** ein.
2. Drücken Sie den Lautstärkereglер während 3 sec. Im Display erscheint die Anzeige „BASS 0“.
3. Drehen Sie den **Lautstärkereglер**, um den Bass entsprechend einzustellen.
4. Drücken Sie den **Lautstärkereglер** zum Bestätigen. Im Display erscheint die Anzeige „TREBLE 0“.
5. Drehen Sie den **Lautstärkereglер**, um den Hochton entsprechend einzustellen.
6. Drücken Sie den **Lautstärkereglер**, um Ihre Einstellungen zu bestätigen und zur normalen Anzeige zurückzukehren.

SPRACHEINSTELLUNGEN

Sie haben die Möglichkeit, unterschiedliche Menüsprachen für das Radio einzustellen.

1. Schalten Sie das Radio mit der **Ein-/Ausschalttaste** ein.
2. Drücken Sie **MENU** und drehen Sie dann **TUNING**, bis im Display die Anzeige „System“ erscheint.
3. Drücken Sie **TUNING**. Drehen Sie **TUNING**, bis im Display die Anzeige „Language“ erscheint.
4. Drücken Sie **TUNING** zum Öffnen des Sprachenmenüs.
5. Drehen Sie **TUNING** zur Auswahl der gewünschten Sprache (Englisch ist die Standardeinstellung).
6. Drücken Sie **TUNING** zum Bestätigen. Das Menü wird nun in der ausgewählten Sprache angezeigt.

DE

SOFTWARE-VERSION

Die Anzeige der Software-Version kann nicht geändert werden und dient nur Ihrer Information. Die Software-Version lässt sich nur in den Modi DAB und UKW anzeigen.

1. Schalten Sie das Radio mit der **Ein-/Ausschalttaste** ein.
2. Schalten Sie mit **SOURCE** den UKW- oder DAB-Modus ein.
3. Drücken Sie **MENU**, bis im Display die Anzeige „Full Scan“ erscheint. Drehen Sie dann **TUNING**, bis im Display „System“ angezeigt wird.
4. Drücken Sie **TUNING**. Drehen Sie **TUNING**, bis im Display die Anzeige „SW version“ erscheint.
5. Drücken Sie **TUNING**, um die Software-Version anzuzeigen.
6. Drücken Sie **TUNING**, um zum vorhergehenden Menü zurückzukehren und drücken Sie **MENU**, um zur normalen Radioanzeige zu gelangen.

Hinweis: Ein Software-Update sollte nur von qualifiziertem Servicepersonal durchgeführt werden.

SYSTEMRÜCKSTELLUNG

Falls Ihr Radio nicht ordnungsgemäß funktioniert oder Anzeigen im Display fehlen bzw. unvollständig sind, führen Sie bitte wie folgt eine Rückstellung durch.

1. Schalten Sie das Radio mit der **Ein-/Ausschalttaste** ein.
2. Drücken Sie die Taste **MENU**.
3. Drehen Sie **TUNING**, bis im Display die Anzeige „System“ erscheint. Drücken Sie dann **TUNING**.
4. Drehen Sie **TUNING**, bis im Display die Anzeige „Factory reset“ erscheint. Drücken Sie dann **TUNING**.
5. Drehen Sie **TUNING** zur Auswahl von „Yes“ oder „No“. Wählen Sie „Yes“ für die Rückstellung oder „No“, falls Sie das System nicht zurückstellen möchten.
6. Drücken Sie **TUNING**, um die Rückstellung zu starten.
7. Das System führt eine vollständige Rückstellung durch. Alle Favoriteneinstellungen und die Senderliste werden gelöscht. Alle Einstellungen werden auf die Werkseinstellungen zurückgesetzt. Im Display erscheint einige Sekunden lang die Anzeige „Restarting“ und dann führt das Radio einen Scan nach Band III DAB-Kanälen und UKW-Sendern durch. Im Display erscheint die Anzeige „Scanning“ für DAB-Kanäle und „Auto“ für UKW-Sender.

Bei Fehlfunktion aufgrund elektrostatischer Entladung führen Sie eine Rückstellung wie oben beschrieben durch, um den normalen Betrieb wiederherzustellen. Falls Sie die Rückstellung wie oben beschrieben nicht durchführen können, ist es erforderlich, alle Batterien zu entfernen und den Netzstecker zu ziehen und anschließend wieder einzulegen bzw. anzuschließen.

"Unter der Umgebung mit Leitungsstörung / Strahlungsunempfindlichkeit kann das Muster fehlerhaft sein. Es wird automatisch wieder normal, wenn die Leitungsstörung / Strahlungsunempfindlichkeit stoppt."

HINTERGRUNDBELEUCHTUNG

Konfiguration der LCD-Hintergrundbeleuchtung

1. Betätigen Sie die **Ein-/Ausschalttaste**, um das Radio einzuschalten.
2. Betätigen Sie die **Taste MENU**, und drehen Sie dann den **Drehknopf**, bis das Display „System“ anzeigt.
3. Drücken Sie auf den **TUNING**; drehen Sie den **TUNING**, bis das Display „LCD backlight“ anzeigt.
4. Drücken Sie auf den **TUNING**, um das Menü für die Anpassung der LCD-Hintergrundbeleuchtung aufzurufen.
5. Drehen Sie den **TUNING**, um „on“ auszuwählen, damit die Hintergrundbeleuchtung immer aktiv ist, wenn das Radio per Netzbetrieb läuft.
6. Oder wählen Sie mit dem **TUNING** „off“ (Standard), so dass die Hintergrundbeleuchtung 10 Sekunden lang aktiv ist, wenn bei Netzbetrieb eine Taste betätigt wird.
7. Drücken Sie auf den **TUNING**, um Ihre Auswahl zu bestätigen.

Hinweis: Die LCD-Hintergrundbeleuchtungsoption „on“ ist nur verfügbar, wenn das Radio im Netzbetrieb läuft. Wenn das Radio per Akku betrieben wird, ist diese Option auf „off“ gesetzt – 10 Sekunden Beleuchtung, wenn eine Taste betätigt wird. Wenn das Radio wieder mit dem Stromnetz verbunden wird, wird die letzte Benutzereinstellung wieder aktiviert.

GARANTIE

Dieses Gerät kommt mit einer 2-jährigen eingeschränkten Garantie.

WARNUNG! Die Garantie wird nichtig, falls die Abdeckung geöffnet und das Gerät modifiziert oder verändert wurde!

Die Garantie des Radios erstreckt sich nicht auf folgendes:

- Schäden aufgrund falscher Nutzung, Missbrauch, Fahrlässigkeit, Unfällen, Änderungen oder nicht genehmigter Reparaturen.
- Normale(r) Abnutzung und Verschleiß.
- Die Teleskopantenne wurde gebrochen oder geknickt.
- Batterien.

INFORMATIONEN

Umweltgerechte Entsorgung



Dieses Produkt besteht aus hochwertigen Teilen und Materialien, die wiederverwertet und recycelt werden können.

Entsorgen Sie das Gerät nicht über den normalen Haushaltsmüll.

Geben Sie es an einer Sammelstelle für das Recycling von elektrischen und elektronischen Geräten ab. Dieses Symbol auf dem Gerät, in der Bedienungsanleitung und auf der Verpackung weist auf diese Art der Entsorgung hin.

Informieren Sie sich auf Ihrer Gemeinde über örtliche Sammelstellen. Recyceln Sie Altgeräte, um die Umwelt zu schützen.



Stromversorgung

Netzbetrieb:

AC 230 V ~, 50/60Hz

Batteriebetrieb:

6 x 1,5V (Alkali Typ IEC LR20 / UM-1 / Größe D) oder

6 x 1,2V (PerfectPro Typ D / HR20 / 1,2V 8000mAh wiederaufladbare NiMH-Batterie)

Reservebatterie:

2 x 1,5V (Alkali Typ LR6 / UM-3 / Größe AA)

Energieverbrauch (Netzstrom)

Betrieb: < 47 W

Standby: < 1 W

Frequenzbereich

FM 88 – 108,0 MHz

DAB 174,928 – 239,200 MHz

Lautsprecher

Size 2 x Ø 100mm

Impedanz 8 Ohm

Ausgangsleistung

Nominal 2 x 10W

Aux-Eingang

Ø 3,5mm

Bluetooth

Version 4.1

Unterstützt Bluetooth-Profile A2DP, AVRCP

2400-2483.5 MHz, max power <20 dBm

USB-Stromausgang

Max. 5V, 1A

DE

Das Unternehmen behält sich das Recht vor, die technischen Daten jederzeit ohne besondere Vorankündigung zu ändern.

TABLE DES MATIERES

INSTRUCTIONS DE SECURITE IMPORTANTES	2
COMMANDES	3
ALIMENTATION ELECTRIQUE	4
FONCTIONS	7
PREMIERE UTILISATION DE LA RADIO	8
MODE DAB	9
MODE FM	12
PRESELECTION DE STATIONS	14
MODE BLUETOOTH	14
MODE USB	18
RECHARGE D'UN TELEPHONE PORTABLE	20
MODE AUX IN	20
REGLAGE MANUEL DE L'HEURE ET DE LA DATE	21
SONORITE	22
REGLAGE DE LA TONALITE	22
SELECTION DE LA LANGUE	23
VERSION DU LOGICIEL	23
REINITIALISATION DU SYSTEME	23
ECLAIRAGE DE L'ECRAN	24
GARANTIE	25
INFORMATIONS	25

FR

AVERTISSEMENT : LA GARANTIE PREND FIN LORSQUE LE BOITIER DE LA RADIO A ETE OUVERT OU LORSQUE LA RADIO A ETE MODIFIEE DE QUELQUE MANIERE QUE CE SOIT PAR L'UTILISATEUR FINAL.



Risque d'électrocution
Ne pas ouvrir

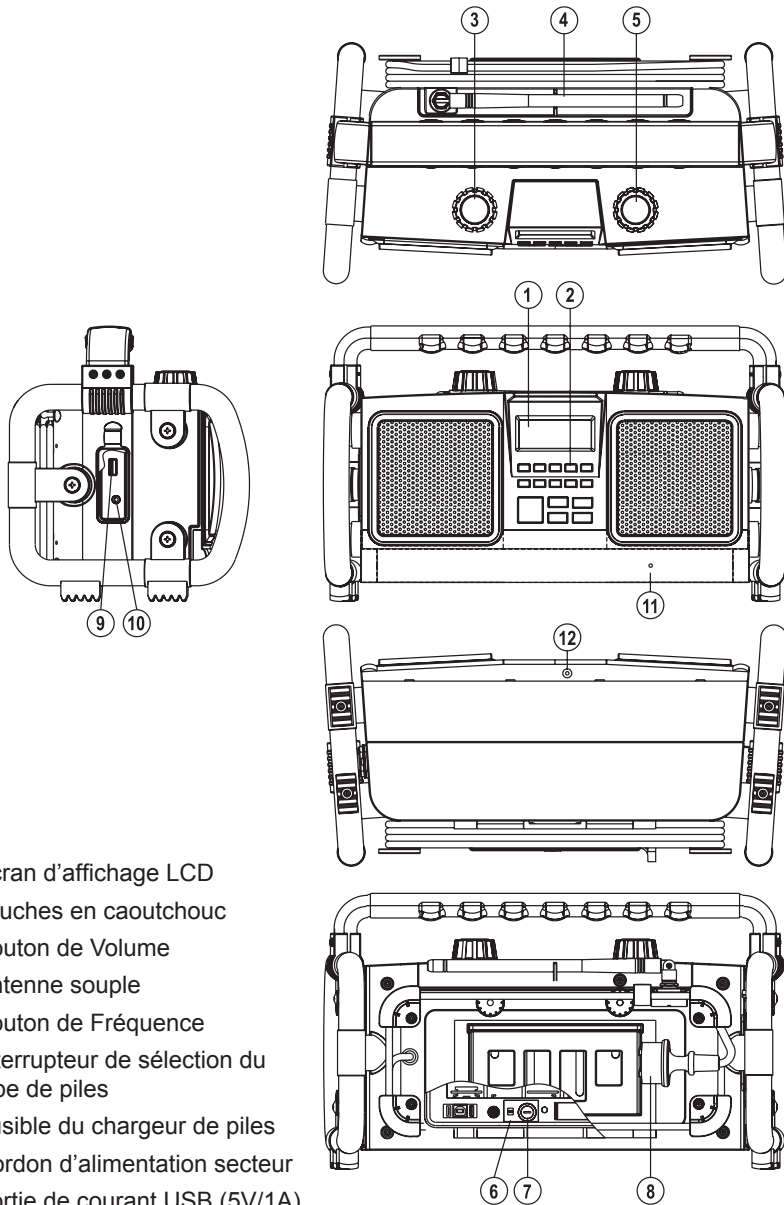
INSTRUCTIONS DE SECURITE IMPORTANTES

1. Lisez attentivement et complètement le mode d'emploi de la radio.
2. Conservez soigneusement ce mode d'emploi.
3. Tenez compte de tous les avertissements.
4. Suivez toutes les instructions.
5. Nettoyez la radio exclusivement avec un linge propre et sec.
6. N'obstruez pas les ouvertures de ventilation. Installez la radio conformément aux instructions.
7. N'installez pas la radio à proximité de sources de chaleur (radiateurs de chauffage, grilles de ventilation, fours et autres appareils (amplis compris) qui génèrent de la chaleur.
8. Ne tenter jamais de modifier les fiches et prises polarisées ou comportant un plot de terre destiné à garantir votre sécurité. Une prise polarisée possède deux contacts, dont l'un est plus large que l'autre. Une prise à plot de terre possède deux contacts et un plot de mise à la terre. Le contact le plus large ou le plot de terre est prévu pour assurer votre sécurité. Si la fiche fournie ne s'adapte pas dans la prise de courant de votre installation, consultez un électricien pour le remplacement de la prise de courant.
9. Protégez le cordon d'alimentation de la radio de manière à éviter tout dommage à celui-ci, en particulier au niveau de la prise de courant et de la sortie de la radio.
10. Utilisez exclusivement les pièces et accessoires prévus par le fabricant.
11. Utilisez la radio exclusivement sur un support mobile, un présentoir, un trépied, un support mural ou une table recommandé par le fabricant ou vendu avec la radio. Lors de l'utilisation d'un support mobile, soyez prudent en déplaçant l'ensemble support/radio, de façon à éviter de vous blesser en cas de chute de la radio.
12. Retirez la fiche du cordon d'alimentation de la radio de la prise de courant pendant un orage ou lorsque la radio n'est pas utilisée durant un certain temps.
13. Confiez toute réparation ou tout entretien à un personnel qualifié. Une réparation ou un entretien est nécessaire lorsque la radio, le cordon d'alimentation ou la fiche a été endommagé, lorsqu'un liquide a été renversé sur la radio et a pénétré dans celle-ci, lorsque des objets sont tombés sur la radio et ont pénétré dans celle-ci, lorsque la radio a été exposée à la pluie ou à l'humidité, lorsque la radio ne fonctionne pas normalement ou lorsque la radio est tombée d'une certaine hauteur.
14. Afin d'éviter tout risque d'incendie ou d'électrocution, n'exposez pas la radio à la pluie ni à l'humidité.
15. Ne tentez jamais de démonter la radio. Celle-ci ne comporte aucun élément qui soit réparable par l'utilisateur.
16. Ne posez jamais sur la radio des objets dégagant de la chaleur ou présentant une flamme nue.
17. Lors d'une utilisation à l'air libre par temps humide ou pluvieux, faites fonctionner la radio sur piles afin d'éviter tout risque d'électrocution. Afin de prévenir le risque d'électrocution lorsque la radio a été exposée à l'eau ou à la pluie, le cordon d'alimentation ainsi que la fiche doivent être complètement séchés avant d'insérer la fiche du cordon d'alimentation de la radio dans une prise de courant.
18. La prise de courant doit être proche de la radio et rester toujours accessible, de sorte que seule la fiche de la radio doit être retirée de la prise de courant en cas d'urgence.
19. Les informations légales concernant la radio se trouvent sur la face inférieure de celle-ci.
20. Cette radio est protégée contre les projections d'eau (IP65).
21. En cas de perturbations provoquées par une décharge électrostatique ou une pointe de tension, la fiche du cordon d'alimentation de la radio doit être retirée un bref instant de la prise de courant et réinsérée ensuite dans celle-ci.
22. Pour éviter d'endommager l'audition, ne pas écouter à volume élevé pendant de longues périodes.



23. Cet appareil doit être utilisé en climat modéré.

COMMANDES



1. Ecran d'affichage LCD
2. Touches en caoutchouc
3. Bouton de Volume
4. Antenne souple
5. Bouton de Fréquence
6. Interrupteur de sélection du type de piles
7. Fusible du chargeur de piles
8. Cordon d'alimentation secteur
9. Sortie de courant USB (5V/1A)
10. Entrée Aux-in
11. LED Bluetooth connecté
12. Microphone

ALIMENTATION ELECTRIQUE

Utilisation sur courant secteur

- Avant d'insérer la fiche du cordon d'alimentation de la radio dans une prise de courant secteur, assurez-vous que la tension du courant secteur soit correcte et que l'**interrupteur de sélection du type de piles** se trouve dans la bonne position : **ALKALINE** en l'absence de piles ou lorsque vous utilisez des piles alcalines / **CHARGE NiMH ON** lorsque vous utilisez des piles NiMH.
- Lorsque vous utilisez des piles alcalines et lorsque l'**interrupteur de sélection du type de piles** se trouve positionné sur **ALKALINE**, les piles seront déconnectées automatiquement lorsque la radio est utilisée sur courant secteur.
- Lorsque vous utilisez des piles NiMH et lorsque l'**interrupteur de sélection du type de piles** se trouve positionné sur **CHARGE NiMH ON**, les piles seront rechargées automatiquement lorsque la radio est utilisée sur courant secteur.
- Les pattes courbées situées à l'arrière de la radio permettent de ranger le cordon d'alimentation et la fiche lorsque la radio n'est pas utilisée ou lorsque celle-ci est utilisée sur piles.

Remarque :

Afin de déconnecter la radio du courant secteur, la fiche du cordon d'alimentation doit être retirée entièrement de la prise de courant. La fiche et le cordon d'alimentation doivent rester accessibles à tout moment.

En cas de perturbations provoquées par une décharge électrostatique ou une pointe de tension, la fiche du cordon d'alimentation de la radio doit être retirée de la prise de courant et les piles doivent être déconnectées un bref instant.

Utilisation sur piles

1. Pour ouvrir le logement des piles, tournez d'abord les deux pattes de fixation du couvercle du logement dans le sens inverse des aiguilles d'une montre et tirez ensuite le couvercle vers le bas.
2. La radio Workstation est prévue pour fonctionner sur piles alcalines (6 x 1,5V type IEC LR20 / UM-1 / format D) ou sur piles NiMH (6 x 1,2V – piles rechargeables PerfectPro - format D / HR20 / 8000mAh). Positionnez l'**interrupteur de sélection du type de piles** sur **ALKALINE** ou **CHARGE NiMH ON** en fonction du type de piles utilisé.
3. Installez les piles dans le logement en respectant la polarité (+ et -). Refermez ensuite le couvercle du logement et tournez les deux pattes de fixation dans le sens des aiguilles d'une montre. Refermez correctement le couvercle afin d'éviter que de l'humidité ou de la poussière pénètre dans le logement des piles.
4. Lorsque vous prévoyez de ne pas utiliser la radio pendant un certain temps, il est recommandé de retirer les piles de celle-ci.

La capacité approximative des piles est affichée à l'écran LCD de la radio au moyen d'une icône "Pile". Lorsque la capacité des piles est très faible, le message "Battery Low!" apparaît à l'écran et l'icône "Pile" clignote. Les piles doivent dans ce cas être remplacées ou rechargées sans tarder, de façon à garantir le fonctionnement normal de la radio.

Lorsque des piles NiMH sont rechargées, une animation de recharge apparaît à l'écran LCD. Le processus de recharge des piles et l'animation de recharge s'arrêteront automatiquement lorsque les piles sont complètement rechargées.

Piles de sauvegarde (2 x AA)

Des piles de sauvegarde sont utilisées afin de sauvegarder l'heure et la date lorsque la radio est utilisée sur courant secteur, sans piles alcalines ou NiMH. Il est nécessaire d'installer des piles de sauvegarde (2 x format AA / UM-3) dans le logement prévu à cet effet, afin de sauvegarder l'heure et la date lorsque la radio est utilisée exclusivement sur courant secteur. En l'absence de piles de sauvegarde, l'heure et la date seront perdues lorsque vous retirez la fiche du cordon d'alimentation de la prise de courant. Les piles de sauvegarde ne sont pas rechargées en cours d'utilisation de la radio et doivent être remplacées tous les ans.

Remplacement du fusible du chargeur de piles

Pour des raisons de sécurité, le chargeur de piles est équipé d'un fusible destiné à protéger la radio contre une surtension ou une pointe de tension pendant le processus de recharge des piles. Ce fusible sautera en cas de problème avec le chargeur ou les piles (piles endommagées par exemple). Dans ce cas, le chargeur refusera de recharger les piles ou la radio ne fonctionnera plus sur piles. Il y a alors lieu de vérifier l'état du fusible et de remplacer éventuellement les piles et/ou le fusible.

1. Eteignez la radio et retirez la fiche du cordon d'alimentation de la prise de courant.
2. Ouvrez le logement des piles.
3. Vérifiez soigneusement l'état des piles et assurez-vous qu'elles soient installées correctement en respectant la polarité (+ et -). Remplacez les piles si celles-ci sont endommagées. Pour des informations détaillées, consultez le point "INFORMATIONS IMPORTANTES CONCERNANT LA RECHARGE ET L'UTILISATION DE PILES RECHARGEABLES".
4. Localisez le porte-fusible dans le logement des piles. Le couvercle du porte-fusible porte l'inscription "FUZE" (FUSIBLE).
5. Pour enlever le fusible, utilisez un petit tournevis. Tournez prudemment le tournevis vers la gauche tout en appuyant légèrement sur le couvercle. Evitez de forcer sur le couvercle au risque d'endommager celui-ci.
6. Remplacez le fusible défectueux par un fusible neuf du même type. Le type de fusible est indiqué à côté du porte-fusible (T4AL 250V). N'utilisez jamais un autre type de fusible.
7. Refixez le couvercle du porte-fusible à l'aide d'un petit tournevis. Tournez prudemment le tournevis vers la droite tout en appuyant légèrement sur le couvercle. Evitez de forcer sur le couvercle au risque d'endommager celui-ci.

FR

Remarque :

- Si le nouveau fusible saute dès que la radio est raccordée au courant secteur ou lorsque vous utilisez la radio, il y a lieu de soupçonner un problème au niveau de la radio ou des piles. Veuillez dans ce cas faire vérifier la radio et/ou les piles par votre revendeur ou par le service technique PerfectPro.
- Le fusible protège également des piles alcalines contre la surtension.

Avertissement :

Il existe un risque d'explosion lorsque les piles ne sont pas remplacées correctement. Remplacez celles-ci exclusivement par des piles de type identique ou équivalent. Assurez-vous que l'**interrupteur de sélection du type de piles** se trouve dans la bonne position.

Une pile alcaline n'est pas rechargeable. Ne tentez jamais de recharger des piles alcalines.

Ne mélangez jamais différents types de piles.

Ne mélangez jamais des piles chargées et des piles déchargées.

Évitez d'exposer les piles à des chaleurs excessives (soleil, feu ou source de chaleur similaire).

Les piles ne peuvent jamais être détruites par incinération ni éliminées avec les ordures ménagères. Les piles usagées doivent être confiées à un centre de recyclage agréé.

INFORMATIONS IMPORTANTES CONCERNANT LA RECHARGE ET L'UTILISATION DE PILES RECHARGEABLES

1. **Rechargez les piles au moins tous les deux mois.**
2. Assurez-vous que l'**interrupteur de sélection du type de piles** se trouve positionné sur "**CHARGE / NiMH ON**".
3. **Installez les piles dans le logement des piles en respectant la polarité (+ et -).**
4. **Première utilisation : Rechargez les piles neuves en un seul cycle de charge ininterrompu jusqu'à ce qu'elles soient complètement rechargées.** Ce premier cycle de charge prendra plus de temps qu'un cycle de charge normal. Afin d'augmenter la durée de vie des piles, il est préférable de toujours recharger celles-ci en un seul cycle de charge ininterrompu jusqu'à ce qu'elles soient complètement rechargées. Évitez de recharger les piles lorsque leur charge est encore suffisante.
5. Des piles neuves atteindront leur pleine capacité seulement après un nombre de cycles d'utilisation (décharge-recharge).
6. Lors d'une utilisation fréquente de la radio, laissez le groupe de piles complet dans la radio. N'utilisez pas les piles à d'autres fins. N'enlevez jamais quelques piles de la radio en vue de les utiliser à d'autres fins. Il en résultera inévitablement un mélange de piles (complètement) rechargées et de piles (partiellement) déchargées.
7. Rechargez les piles à une température ambiante entre 5°C et 35°C. Une température ambiante supérieure ou inférieure ne permet pas de recharger complètement les piles.
8. Étant donné la capacité élevée des piles fournies, le cycle de charge complet (piles vides -> piles pleines) de celles-ci peut prendre environ 10 heures.
9. Ne rechargez pas les piles lorsque la radio est chaude ou exposée à la chaleur ou à une source de chaleur.

10. Il est conseillé de nettoyer de temps à autre les contacts métalliques des piles et du chargeur au moyen d'un spray spécial pour composants électroniques.
11. N'utilisez jamais un mélange d'anciennes piles rechargeables et de piles rechargeables neuves.
12. N'utilisez jamais un mélange de piles rechargeables et de piles non rechargeables.
13. N'utilisez jamais un mélange de piles rechargeables déchargées et de piles rechargeables complètement rechargées.
14. N'utilisez jamais un mélange de piles présentant des capacités mAh différentes.
15. N'utilisez jamais des piles endommagées, déformées ou présentant des fuites.
16. La capacité approximative des piles est affichée à l'écran LCD de la radio au moyen d'une icône "Pile". Celle-ci est susceptible de varier en fonction du type de piles dans la radio.
17. Les piles sont susceptibles de devenir chaudes en cours de recharge.
18. Par temps froid, la capacité des piles sera inférieure à la capacité de celles-ci à température ambiante normale.
19. Étant donné que les piles sont des consommables, celles-ci ne sont pas couvertes par la garantie de la radio.
20. Il est conseillé d'utiliser des piles rechargeables PerfectPro, étant donné que la radio et le chargeur interne sont conçus pour être utilisés avec celles-ci.
21. Déconnecter toujours l'appareil du courant secteur avant d'installer les piles.

FONCTIONS

1. **Allumage et extinction de la radio**
Appuyez sur la **touche ON/OFF** pour allumer la radio ou remettre celle-ci en mode Standby (Veille).
2. **Sélection du mode DAB / FM / Bluetooth ou AUX IN**
Appuyez sur la **touche Source** (touche de sélection de la source audio) pour passer d'un mode à l'autre.
3. **Réglage de la radio sur la station souhaitée**
Tournez le **bouton de Fréquence** (bouton de droite).
4. **Réglage du volume**
Tournez le **bouton de Volume** (bouton de gauche).
5. **Réglage de la tonalité**
Appuyez sur le **bouton de Volume** (bouton de gauche) et tournez ensuite celui-ci pour régler les basses et les aigues.
6. **Sélection du mode Mono ou Stéréo (uniquement en mode FM)**
Appuyez sur la **touche Mono/Stereo** pour sélectionner le mode FM Mono ou FM Stéréo.
7. **Connexion de la radio à votre téléphone portable via Bluetooth** Sélectionnez la radio "**Workstation**" dans le menu Bluetooth de votre téléphone portable.

8. **Ecoute de musique à partir de votre téléphone portable en mode Bluetooth**
Utilisez les lecteurs de média de votre téléphone portable.
9. **Ecoute de musique à partir d'un téléphone portable connecté à la radio Workstation en mode Bluetooth**
Appuyez sur les touches ►II, ►►I et I◀◀ (touches de présélection 3, 4 et 5).
10. **Répondre à un appel téléphonique à partir de la radio Workstation**
Appuyez sur le **bouton de Fréquence (icône téléphone)** pour décrocher et raccrocher.
11. **Rappel du dernier numéro de téléphone appelé en mode Bluetooth**
Appuyez pendant plus de 2 secondes sur le **bouton de Fréquence (icône téléphone)**.
12. **Recharge de votre téléphone portable à partir de la radio Workstation**
Raccordez votre téléphone portable à la sortie de courant USB (côté gauche de la radio) au moyen d'un câble approprié (non fourni).

PREMIERE UTILISATION DE LA RADIO

1. Posez la radio sur une surface stable et plane.
2. Relevez l'antenne souple située au-dessus de la radio. Orientez l'antenne verticalement par rapport à la radio.
3. Insérez la fiche du cordon d'alimentation dans une prise de courant. La radio s'allumera automatiquement et le message "WELCOME TO DIGITAL RADIO" (BIENVENUE A LA RADIO NUMERIQUE) apparaîtra à l'écran pendant quelques secondes. La radio effectuera ensuite automatiquement un balayage de la bande de fréquences DAB et FM. "Scanning" sera affiché à l'écran pour la bande de fréquences DAB et "Auto" sera affiché à l'écran pour la bande de fréquences FM.
4. Les 10 stations FM offrant le meilleur signal de réception seront alors mises dans la mémoire de stations présélectionnées et les 10 stations DAB disponibles seront placées dans la liste de stations DAB. Après ce premier balayage, la radio s'éteindra automatiquement et l'heure et la date actualisées seront ensuite affichées à l'écran.

En l'absence de réception d'un signal radio, l'heure et la date ne seront pas actualisées. Il peut alors être nécessaire de placer la radio dans un autre endroit offrant une meilleure réception radio.

MODE DAB (DAB - DAB+)

Utilisation de la radio en mode DAB

1. Relevez l'antenne souple située au-dessus de la radio. Orientez l'antenne verticalement par rapport à la radio. Appuyez sur la **touche ON/OFF** pour allumer la radio.
2. Appuyez sur la **touche Source** (touche de sélection de la source audio) pour sélectionner le mode DAB.
3. La première station (dans l'ordre alphanumérique 0...9, A...Z) de la liste de stations sera alors audible et le nom de la station sera affiché à l'écran. Si la radio a déjà été utilisée, la dernière station sélectionnée sera dans ce cas audible.
4. Lorsqu'aucun signal radio n'a été trouvé, le message "No stations available" (Aucune station disponible) sera affiché à l'écran. Il peut être nécessaire dans ce cas de placer la radio dans un autre endroit offrant une meilleure réception. Vous pouvez ensuite effectuer un Auto Scan pour rechercher des stations DAB. Voir le point "**Recherche de nouvelles stations en mode DAB**".

Sélection d'une station en mode DAB

1. Appuyez sur la **touche ON/OFF** pour allumer la radio.
2. Appuyez sur la **touche Source** (touche de sélection de la source audio) pour sélectionner le mode DAB.
3. Le message "Connecting" (Syntonisation en cours) apparaîtra pendant quelques secondes à l'écran.
4. Le nom de la station DAB trouvée sera ensuite affiché à l'écran.
5. Tournez le **bouton de Fréquence** pour parcourir la liste des stations DAB disponibles.
6. Lorsque le nom de la station DAB souhaitée apparaît à l'écran, appuyez sur le **bouton de Fréquence** pour sélectionner la station DAB en question.

Lorsque le message "No stations available" (Aucune station disponible) apparaît à l'écran après avoir sélectionné une station DAB, il peut être nécessaire dans ce cas de placer la radio dans un autre endroit offrant une meilleure réception.

Affichage en mode DAB

En mode DAB, la radio est capable d'afficher diverses informations.

1. Appuyez sur la **touche Info** pour parcourir les différentes informations disponibles.
 - a. Texte défilant Affiche des messages de la station DAB que vous écoutez, sous la forme d'un texte défilant.
 - b. Force du signal Affiche la force du signal de réception de la station DAB que vous écoutez. Le bloc ouvert indique le niveau minimum du signal nécessaire pour obtenir une bonne réception.
 - c. Type de programme Affiche le type de programme que vous écoutez, par exemple Pop, Classique, Actualités, etc.
 - d. Nom du multiplex Affiche le nom du multiplex auquel la station DAB appartient.
 - e. Canal et fréquence Affiche le numéro et la fréquence de la station DAB que vous écoutez.
 - f. Débit binaire et type audio Affiche le débit binaire et le format audio de l'émission.
 - g. Heure et date Affiche l'heure exacte et la date.

Recherche de nouvelles stations en mode DAB

De temps à autre, il se peut que de nouvelles stations DAB soient disponibles. Pour trouver celles-ci :

1. En mode DAB, appuyez sur la **touche Menu**. "Full scan" (Balayage complet) sera ensuite affiché à l'écran.
2. Appuyez sur le **bouton de Fréquence**. La radio effectuera alors un balayage complet des fréquences de la DAB Bande III. Lorsque la radio trouve de nouvelles stations DAB, celles-ci seront ajoutées à la liste des stations DAB disponibles.

Recherche manuelle de stations en mode DAB

Une recherche manuelle vous offre la possibilité de sélectionner directement des stations dans la DAB Bande III.

1. En mode DAB, appuyez sur la **touche Menu**. "Full scan" (Balayage complet) sera ensuite affiché à l'écran.
2. Tournez le **bouton de Fréquence** jusqu'à ce que "Manual tuning" (Syntonisation manuelle) soit affiché à l'écran. Appuyez ensuite sur le bouton de Fréquence.
3. Tournez le **bouton de Fréquence** pour rechercher la fréquence DAB souhaitée. Appuyez sur le **bouton de Fréquence** pour sélectionner la fréquence DAB en question.

4. L'affichage de la force du signal indique le niveau du signal capté par la radio. Le bloc ouvert indique le niveau minimum du signal nécessaire pour obtenir une bonne réception. L'affichage de la force du signal change lorsque vous changez la position de l'antenne et/ou de la radio.
5. Lorsque la radio capte un signal DAB, le nom de la station sera affiché à l'écran.
6. Appuyez sur le **bouton de Fréquence** pour revenir au menu DAB standard.

Réglages Dynamic Range Control (DRC) en mode DAB

La fonction DRC permet de rendre des sons doux plus audibles lorsque la radio est utilisée dans un environnement ou un endroit particulièrement bruyant.

1. En mode DAB, appuyez sur la **touche Menu**. "Full scan" (Balayage complet) sera ensuite affiché à l'écran.
2. Tournez le **bouton de Fréquence** jusqu'à ce que "DRC value" (Valeur DRC) soit affiché à l'écran. Appuyez ensuite sur le **bouton de Fréquence**.
3. Tournez le **bouton de Fréquence** pour sélectionner le réglage DRC souhaité (normalement, la fonction DRC est désactivée).
 - i. DRC Off fonction DRC désactivée.
 - ii. DRC 1/2 niveau DRC réglé à 50% du niveau émis.
 - iii. DRC 1 niveau DRC réglé à 100% du niveau émis.
4. Appuyez sur le **bouton de Fréquence** pour confirmer votre sélection et revenir au menu DAB standard.

Remarque : Toutes les stations DAB n'utilisent pas la fonction DRC. Lorsqu'une station DAB n'émet aucune information DRC, les réglages DRC n'auront aucun effet sur la radio.

FR

Suppression de stations (Fonction "Prune") en mode DAB

Lorsque vous vous rendez dans une autre région ou dans un autre pays, il se peut que certaines stations DAB ne soient plus disponibles. Il se peut également que certaines stations DAB arrêtent d'émettre ou changent de fréquence. La fonction "Prune" (Suppression) permet de supprimer de la liste des stations DAB, les stations DAB qui ne sont plus disponibles.

1. En mode DAB, appuyez sur la **touche Menu**.
2. Tournez le **bouton de Fréquence** jusqu'à ce que "Prune" (Suppression) soit affiché à l'écran. Appuyez ensuite sur le **bouton de Fréquence**.
3. Tournez le **bouton de Fréquence** pour sélectionner "Yes"(Oui) ou "No"(Non) (Le réglage standard est Non).
4. Appuyez sur le **bouton de Fréquence** pour confirmer votre sélection et revenir au menu DAB standard.

Remarque : Lorsque vous vous rendez dans une autre région ou dans un autre pays, il est conseillé d'effectuer une recherche des nouvelles stations DAB disponibles. Voir à cet effet le point "Recherche de nouvelles stations en mode DAB".

MODE FM

Utilisation de la radio en mode FM

Recherche automatique de stations en mode FM

1. Appuyez sur la **touche ON/OFF** pour allumer la radio.
2. Appuyez sur la **touche Source** (touche de sélection de la source audio) pour sélectionner le mode FM.
3. Lors de la première utilisation de la radio, la station FM dans la mémoire de présélection 1 sera sélectionnée. Si la radio a déjà été utilisée dans le passé, la dernière station FM écoutée sera dans ce cas sélectionnée.
4. Appuyez sur le **bouton de Fréquence** pour démarrer la recherche automatique de stations FM ("scanning").
5. La radio lancera alors la recherche et s'arrêtera automatiquement lorsqu'elle trouve une station FM offrant une bonne réception.
6. Pour rechercher une autre station FM, appuyez de nouveau sur le **bouton de Fréquence**.
7. Pour rechercher des stations FM dans le sens opposé, tournez le **bouton de Fréquence** dans le sens des aiguilles d'une montre (pour rechercher des stations FM depuis les basses fréquences vers les hautes fréquences) ou dans le sens inverse des aiguilles d'une montre (pour rechercher des stations FM depuis les hautes fréquences vers les basses fréquences) et appuyez ensuite sur le bouton de Fréquence.
8. Lorsque la fin de la plage de fréquences FM est atteinte, la radio recommencera la recherche depuis l'autre extrémité de la plage de fréquences FM.

Recherche manuelle de stations en mode FM

1. Appuyez sur la **touche ON/OFF** pour allumer la radio.
2. Appuyez sur la **touche Source** (touche de sélection de la source audio) pour sélectionner le mode FM.
3. Lors de la première utilisation de la radio, la station FM dans la mémoire de présélection 1 sera sélectionnée. Si la radio a déjà été utilisée dans le passé, la dernière station FM écoutée sera dans ce cas sélectionnée.
4. Tournez le **bouton de Fréquence** pour atteindre la station FM souhaitée. La fréquence changera par incréments de 50 kHz.
5. Tournez le **bouton de Volume** pour obtenir le niveau de volume souhaité.
6. Tournez éventuellement l'antenne pour obtenir une meilleure réception.
7. Lorsque la fin de la plage de fréquences FM est atteinte, la radio recommencera la recherche depuis l'autre extrémité de la plage de fréquences FM.

Système d'informations RDS en mode FM

Le RDS (Radio Data System) est un système d'informations par lequel des informations numériques non audibles sont transmises en plus du programme radio FM normal. Lorsque la radio capte une station RDS et que la réception est suffisamment bonne, le nom de la station FM apparaîtra à l'écran LCD. Un certain temps peut s'écouler avant que les informations RDS soient disponibles.

Activation du système d'informations RDS

Lorsque vous écoutez une station FM comportant le système RDS, appuyez plusieurs fois sur la **touche Info** pour parcourir les informations RDS disponibles. Ceci fonctionne uniquement lorsque la réception est suffisamment bonne et claire.

- | | |
|----------------------------|--|
| a. Radio Texte (RT) | Affiche des messages de la station FM que vous écoutez, sous la forme d'un texte défilant. |
| b. Type de Programme (PTY) | Affiche le type de station FM que vous écoutez.
Exemples : Pop, Classique, Actualités, etc. |
| c. Fréquence | Affiche la fréquence de la station FM que vous écoutez. |
| d. Force du Signal | Affiche la force du signal de réception de la station FM que vous écoutez. |
| e. Heure et Date | Affiche l'heure exacte (horloge 24 heures) et la date. |

Réglage de la sensibilité de balayage en mode FM

FR

La radio effectue normalement un balayage de toutes les stations FM, y compris celles dont le signal est faible. Il vous est toutefois possible de régler la fonction de balayage de telle sorte que seules les stations FM dont le signal est fort assez pour offrir une bonne réception, soient captées.

1. Appuyez sur la **touche ON/OFF** pour allumer la radio.
2. Appuyez sur la **touche Source** (touche de sélection de la source audio) pour sélectionner le mode FM.
3. Appuyez sur la **touche Menu**. "Scan setting" (Réglage de la sensibilité de balayage) sera ensuite affiché à l'écran.
4. Appuyez sur le **bouton de Fréquence**.
5. Tournez le **bouton de Fréquence** pour sélectionner "All stations" (Toutes les stations) ou "Strong stations" (Stations au signal fort). Le réglage standard est "All stations" (Toutes les stations). Lorsque l'option "Strong stations" (Stations au signal fort) a été sélectionnée, la radio captera, lors du balayage des stations FM, uniquement les stations dont le signal est fort.
6. Appuyez sur le **bouton de Fréquence** pour confirmer le réglage.

PRESELECTION DE STATIONS

Mémoire de stations présélectionnées

La radio possède 20 emplacements de mémoire de stations présélectionnées, 10 pour la FM et 10 pour la DAB. Les stations présélectionnées seront conservées dans la mémoire de la radio même en cas de coupure de courant.

1. Appuyez sur la **touche ON/OFF** pour allumer la radio.
2. Appuyez sur la **touche Source** (touche de sélection de la source audio) pour sélectionner le mode FM ou DAB.
3. Sélectionnez la station souhaitée.
4. Appuyez sur la **touche de Présélection** souhaitée jusqu'à ce que la radio émette un bip et affiche "Stored" (Mémorisée).
5. Répétez les étapes 3 et 4 pour les autres présélections.
6. Les stations présélectionnées et mémorisées peuvent être écrasées en répétant les points 3 et 4 ci-dessus.

Rappel de stations présélectionnées

1. Appuyez sur la **touche ON/OFF** pour allumer la radio.
2. Appuyez sur la **touche Source** (touche de sélection de la source audio) pour sélectionner le mode FM ou DAB.
3. Appuyez brièvement sur la **touche de Présélection** souhaitée. Le numéro de la présélection et la fréquence de la station seront ensuite affichés à l'écran.

MODE BLUETOOTH

Connexion Bluetooth avec votre téléphone portable

1. Appuyez sur la **touche ON/OFF** pour allumer la radio.
2. Appuyez sur la **touche Source** (touche de sélection de la source audio) pour sélectionner le mode Bluetooth.
3. La **LED bleue Bluetooth connecté** clignotera si la radio et votre téléphone portable ne sont pas encore connectés.
4. Appelez le menu Bluetooth sur votre téléphone portable et sélectionnez "**Workstation**" dans la liste des appareils Bluetooth (ces instructions de connexion peuvent varier en fonction du modèle de votre téléphone portable. Pour plus de détails, veuillez consulter le mode d'emploi de votre téléphone portable).
5. Dès que votre téléphone portable parvient à établir une connexion avec la radio Workstation, la **LED bleue Bluetooth connecté** s'arrêtera de clignoter et "**Bluetooth Connected**" (Bluetooth Connecté) sera affiché à l'écran.

Ecoute de musique à partir de votre téléphone portable

1. Appuyez sur la **touche ON/OFF** pour allumer la radio.
2. Appuyez sur la **touche Source** (touche de sélection de la source audio) pour sélectionner le mode Bluetooth.
3. Ecoutez la musique souhaitée à partir des lecteurs de média de votre téléphone portable.
4. Utilisez les **touches ►||, ►►| et |◄◄** (touches de présélection 3, 4 et 5) de la radio Workstation pour commander les différentes fonctions d'écoute de vos morceaux préférés.

Répondre à un appel téléphonique à partir de la radio Workstation

La fonction Téléphone Mains Libres vous permet de répondre à des appels téléphoniques lorsque la radio se trouve en mode Bluetooth, DAB, FM ou AUX IN.

1. Appuyez sur le **bouton de Fréquence (Icône Téléphone)** pour répondre à un appel téléphonique.
2. Parlez en direction du microphone qui se trouve au milieu de la radio.
3. Tournez le **bouton de Volume** pour régler le volume. Un faible volume permet de réduire un écho éventuel en cours de conversation.
4. Appuyez de nouveau sur le **bouton de Fréquence (Icône Téléphone)** pour raccrocher.

Remarque : Le volume de la sonnerie sera à son niveau maximum les 20 premières secondes et diminuera ensuite au niveau de volume utilisé précédemment. Pour ramener le volume au niveau utilisé précédemment, appuyez sur le **bouton de Fréquence (Icône Téléphone)** ou tournez le **bouton de Volume**.

FR

Rappel du dernier numéro de téléphone appelé (avec votre téléphone portable connecté)

La fonction Téléphone Mains Libres vous permet de rappeler le dernier numéro de téléphone appelé avec votre téléphone portable (uniquement en mode Bluetooth).

1. En mode Bluetooth, appuyez sur le **bouton de Fréquence (Icône Téléphone)** pendant plus de 2 secondes. Le dernier numéro de téléphone appelé avec votre téléphone portable sera alors rappelé.
2. Tournez le **bouton de Volume** pour régler le volume si nécessaire.
3. Appuyez sur le **bouton de Fréquence (Icône Téléphone)** pour raccrocher.

Réglages Bluetooth

La fonction Bluetooth peut être réglée de différentes façons :

1. En mode Bluetooth, appuyez sur la **touche MENU** pour accéder aux réglages Bluetooth.
2. Tournez le **bouton de Fréquence** jusqu'à ce que "Bluetooth" soit affiché à l'écran. Appuyez ensuite sur le **bouton de Fréquence**.
3. Tournez le **bouton de Fréquence** pour sélectionner "BT always on" (BT toujours connecté), "BT modus only" (Mode BT uniquement) ou "Disconnect BT" (BT déconnecté). Appuyez ensuite sur le **bouton de Fréquence** pour confirmer votre sélection.
 - a. BT toujours connecté Bluetooth est connecté automatiquement lorsque la radio Workstation est allumée. Vous pouvez écouter de la musique en mode Bluetooth et utiliser la fonction Téléphone Mains Libres pour répondre à des appels téléphoniques dans tous les modes, par exemple également lorsque vous écoutez la radio. La **LED bleue Bluetooth connecté** sera dans ce cas allumée dans tous les modes (FM, DAB, Bluetooth et AUX IN).
 - b. Mode BT uniquement Bluetooth est connecté uniquement en mode Bluetooth. Vous pouvez écouter de la musique et répondre à des appels téléphoniques uniquement lorsque la radio est en mode Bluetooth. La **LED bleue Bluetooth connecté** sera dans ce cas allumée uniquement en mode Bluetooth.
 - c. BT déconnecté La connexion Bluetooth avec votre téléphone portable est directement interrompue. Dans ce cas, la **LED bleue Bluetooth connecté** clignotera jusqu'à ce qu'une nouvelle connexion soit établie. La radio recherchera alors un nouvel appareil en vue d'établir une connexion. Lorsqu'aucune nouvelle connexion n'est établie, la radio tentera automatiquement d'établir une connexion avec le dernier appareil lorsque la radio est éteinte et rallumée.

Attention : Les réglages de volume de votre téléphone portable influencent le volume d'écoute de musique en continu et le volume des appels téléphoniques entrant sur la radio Workstation.

La fonction de gestion automatique de l'alimentation sera activée en mode Bluetooth. En l'absence de signal d'entrée via la connexion Bluetooth pendant plus de 15 minutes, la radio Workstation se mettra automatiquement en mode standby (veille). Pour rallumer la radio, appuyez sur la **touche ON/OFF**.

Bluetooth LED configuration

1. Appuyez sur la **touche ON/OFF** pour allumer la radio.
2. Appuyez sur la **touche menu** puis tournez le **bouton de Fréquence** jusqu'à ce que l'écran affiche « System » (système).
3. Appuyez sur le **bouton de Fréquence**; tournez le **bouton de Fréquence** jusqu'à ce que l'écran affiche « Bluetooth LED ».
4. Appuyez sur le **bouton de Fréquence** pour entrer dans le menu de réglage de la LED Bluetooth.
5. Tournez le **bouton de Fréquence** pour sélectionner « on » (par défaut) afin de garder la LED Bluetooth allumée lorsque votre appareil mobile est connecté;
6. Ou tournez le **bouton de Fréquence** pour sélectionner « off » afin d'éteindre la LED Bluetooth lorsque la connexion Bluetooth a été établie.
7. Appuyez sur le **bouton de Fréquence** pour confirmer votre choix.

MODE USB

NE JAMAIS UTILISER LE PORT USB OU LA PRISE AUX-IN DANS DES CONDITIONS HUMIDES OU PLUVIEUSES POUR EVITER QUE L'HUMIDITÉ PENETRE DANS LA RADIO! GARDER LA PROTECTION EN CAOUTCHOUC FERMEE DANS CES CONDITIONS.

Les fichiers MP3, AAC, FLAC et WAV contenus dans le périphériques de stockage USB peuvent être lus sur la radio.

Cette radio a été testée avec une large gamme de périphériques de stockage USB allant jusqu'à 32 Go.

Cependant, de nombreux fabricants sont présents sur le marché, il n'est donc pas garanti que toutes les marques de cartes mémoire soient compatibles avec la radio. Le périphérique de stockage mémoire doit posséder un système de fichiers FAT ou FAT32 afin de pouvoir être utilisé avec la radio.

Les formats audio supportés sont les formats MP3, AAC, FLAC et WAV. La radio ne lit pas les de format comprenant une protection DRM.

L'emplacement pour le connecteur USB sont situés sur le panneau latéral de la radio sous la protection en caoutchouc. Assurez-vous que la protection en caoutchouc est bien fermée après usage afin d'éviter que l'humidité et la salet ne pénètrent dans la radio.

Le périphérique de stockage USB ne doit pas être retiré pendant la lecture d'un fichier, les fichiers pouvant alors être endommagés ou corrompus.

Le périphériques de stockage USB ne sont pas inclus avec cette radio.

Remarque: Lorsque la radio lit un périphérique de stockage USB, elle consomme davantage de puissance et la charge des piles est donc interrompue pour assurer un fonctionnement normal de la radio et une lecture optimale du périphérique de stockage USB. Lorsque le périphérique de stockage USB est retiré, la charge des piles reprend normalement.

Insertion et retrait d'un périphérique de stockage USB

Insérez méticuleusement un périphérique de stockage USB dans le port USB.

Pour retirer un périphérique de stockage USB, tirez simplement sur le périphérique.

Lecture de fichiers

1. Appuyez sur le **bouton ON/OFF** pour allumer la radio.
2. Appuyez sur le **bouton SOURCE** pour sélectionner le mode USB. L'écran affiche "READING" (en lecture). La lecture des fichiers du périphérique de mémoire par la radio peut prendre un certain temps.
3. Après avoir lu le périphérique de stockage USB, la radio commencera lire le premier fichier (chanson) du premier dossier. Si aucun périphérique de stockage USB n'est inséré, l'écran affichera « NO USB STICK ».
4. Pour mettre la lecture en pause, appuyez sur le **bouton PLAY/PAUSE**. Appuyez sur le **bouton PLAY/PAUSE** à nouveau pour reprendre la lecture.
5. Pour passer au fichier suivant, appuyez sur le **bouton Avance rapide**.
6. Pour relire le fichier précédent, appuyez sur le **bouton Rembobiner**.
7. Lorsque le fichier est en lecture, appuyez sur le **bouton Avance rapide** ou sur le bouton Rembobiner. Relâchez le bouton lorsque la partie désirée du fichier est atteinte.
8. Pour passer au dossier suivant, appuyez sur le bouton DOSSIER SUIVANT + .
9. Pour relire le fichier précédent, appuyez sur la touche DOSSIER PRECEDENT - .

Sélectionner un chier

1. Appuyez et maintenez appuyé le **bouton de Fréquence/Recherche** pendant quelques secondes jusqu' ce que l'écran affiche le numéro de dossier en cours de lecture ainsi que le nombre total de dossiers sur la première ligne. La seconde ligne affiche le nom du dossier en cours de lecture.
2. Tournez le **bouton de Fréquence/Recherche** pour rechercher le dossier souhaité. Appuyez sur le **bouton de Fréquence/Recherche** pour sélectionner le dossier. L'écran affichera la première ligne du dossier sélectionné.
3. Tournez le **bouton de Fréquence/Recherche** pour rechercher le fichier souhaité. Appuyez sur le **bouton de Fréquence/Recherche** pour sélectionner le fichier. La radio commencera lire le fichier sélectionné.

La radio supporte un nombre limité de dossiers et de fichiers lors de la recherche:

Mode	Nombre max. de dossiers supportés	Nombre max. de dossiers supportés
Stop	999 (avec le nom de dossier)	9999 (avec le nom de fichier)
Play	999 (1-99 avec le nom de dossier) (100-999 sans le nom de dossier)	9999 (1-999 avec le nom de fichier) (1000-9999 sans le nom de fichier)

Mode lecture

Lorsque le périphérique de stockage USB est en lecture:

1. Appuyez sur le **bouton MENU**.
2. Tournez le **bouton de Fréquence/Recherche** jusqu'à ce que l'écran affiche « Play mode » (mode lecture). Appuyez sur le **bouton de Fréquence/Recherche**.
3. Tournez le **bouton de Fréquence/Recherche** pour sélectionner le mode de lecture souhaité et appuyez sur le **bouton de Fréquence/Recherche**.

La radio affichera les options suivantes:

Repeat 1 → Repeat Folder → Repeat All → Random → Normal Play

Repeat 1 Lecture répétée de la piste en cours

Repeat Folder Joue en boucle les fichiers dans le dossier que vous êtes en train d'écouter.

Repeat All Lecture répétée de toutes les pistes sur le dispositif de mémoire.

Random Les fichiers sur le dispositif de mémoire seront lus au hasard.

Le mode de lecture sélectionné est indiqué par un icône à droite sur la ligne du haut de l'écran d'affichage.

Aucun icône n'est affiché lorsque la radio est en mode de lecture normal.

Fonction d'information

Pendant l'utilisation d'un périphérique de stockage, appuyez sur le bouton **INFO** pour naviguer entre les informations suivantes (uniquement si ces informations sont présentes sur le fichier d'origine du périphérique):

File name (nom de la chanson) -> Folder name (nom du dossier) -> Artist name (nom de l'artiste) -> Album name (nom de l'album) -> Total no. of files on the USB stick (nombre total de fichiers sur le périphérique de stockage USB) -> Clock time and Date (heure et date) -> Normal playback status (statut de lecture).

RECHARGE D'UN TELEPHONE PORTABLE

La sortie de courant USB du côté gauche de la radio vous permet de recharger votre téléphone portable avec un courant continu de 5V/1A. Raccordez à cet effet votre téléphone portable à la sortie de courant USB au moyen d'un câble approprié (non fourni). La sortie de courant USB peut être utilisée dans tous les modes, mode standby (veille) compris. Consultez le mode d'emploi du fabricant de votre téléphone portable afin de vous assurer s'il est possible de recharger celui-ci au moyen d'une prise USB.

Avertissement : N'utilisez jamais la sortie de courant USB sous la pluie ou dans un environnement humide, de façon à éviter que de l'humidité pénètre dans la radio et y provoque un court-circuit. Conservez dans ce cas la coiffe en caoutchouc toujours bien fermée.

Il est conseillé de raccorder la radio à une prise de courant secteur pour recharger un téléphone portable au moyen de la sortie de courant USB. Il est également possible de recharger un téléphone portable au moyen de la sortie de courant USB en utilisant les piles de la radio, mais le téléphone portable consommera dans ce cas beaucoup de courant des piles, de sorte que celles-ci se déchargeront plus rapidement.

MODE AUX IN

Une prise **Aux In** stéréo de 3,5 mm est prévue sur le côté de la radio, derrière la coiffe en caoutchouc, et permet d'y brancher des appareils audio externes tels que lecteur MP3 ou lecteur de CD (non fourni avec la radio).

1. Raccordez un lecteur externe à la **prise Aux In**.
2. Appuyez sur la **touche Source** (touche de sélection de la source audio) pour sélectionner le mode AUX IN. "AUX IN" sera alors affiché à l'écran.
3. Allumez et démarrez le lecteur externe.
4. Réglez le volume de la radio et du lecteur externe au niveau d'écoute souhaité.

Remarque : N'utilisez jamais la prise AUX IN sous la pluie ou dans un environnement humide, de façon à éviter que de l'humidité pénètre dans la radio. Conservez dans ce cas la coiffe en caoutchouc toujours bien fermée.

La fonction de gestion automatique de l'alimentation sera activée en mode AUX IN. En l'absence de signal d'entrée à la prise AUX IN pendant plus de 15 minutes, la radio Workstation se mettra automatiquement en mode standby (veille). Pour rallumer la radio, appuyez sur la **touche ON/OFF**.

* Lorsque le signal d'entrée du lecteur externe est trop faible et ne peut être détecté pendant plus de 15 minutes par la fonction de gestion automatique de l'alimentation, la radio Workstation se mettra automatiquement en mode standby (veille). Afin d'éviter que la radio se mette en mode standby (veille), augmentez légèrement le volume de sortie du lecteur externe jusqu'à ce que le signal soit détecté.

REGLAGE MANUEL DE L'HEURE ET DE LA DATE

Réglage de l'heure et de la date

L'heure et la date peuvent être réglées manuellement uniquement lorsque la radio est en mode standby (veille). Lorsqu'aucune touche n'est activée pendant 5 secondes, la radio quittera le mode de réglage de l'heure et l'heure réglée sera annulée.

1. Appuyez sur le **bouton de Fréquence** pendant 12 secondes jusqu'à ce que les chiffres correspondant aux heures clignotent à l'écran.
2. Tournez le bouton de Fréquence pour régler l'heure.
3. Appuyez sur le **bouton de Fréquence** pour confirmer, les chiffres correspondant aux minutes clignoteront ensuite à l'écran.
4. Tournez le **bouton de Fréquence** pour régler les minutes.
5. Appuyez sur le **bouton de Fréquence** pour confirmer, les chiffres correspondant aux jours clignoteront ensuite à l'écran.
6. Tournez le **bouton de Fréquence** pour régler le jour exact.
7. Appuyez sur le **bouton de Fréquence** pour confirmer, les chiffres correspondant aux mois clignoteront ensuite à l'écran.
8. Tournez le **bouton de Fréquence** pour régler le mois exact.
9. Appuyez sur le **bouton de Fréquence** pour confirmer, les chiffres correspondant aux années clignoteront ensuite à l'écran.
10. Tournez le **bouton de Fréquence** pour régler l'année exacte.
11. Appuyez sur le **bouton de Fréquence** pour confirmer. "SYNCLOCK ON" (Synchronisation de l'heure) clignotera ensuite à l'écran.
12. Tournez le **bouton de Fréquence** pour sélectionner "SYNCLOCK ON" ou "SYNCLOCK OFF".
13. Appuyez sur le **bouton de Fréquence** pour confirmer votre sélection et terminer le réglage de l'heure et de la date.

Synchronisation de l'heure par stations RDS

Lorsque "SYNCLOCK ON" a été sélectionné, l'icône "🕒" sera affiché à l'écran. Certaines stations RDS transmettent un signal horaire. Lorsque la réception est bonne et que vous avez sélectionné l'option "SYNCLOCK ON", l'heure sera réglée automatiquement ("🕒" clignotera à l'écran). La synchronisation de l'heure peut prendre quelques minutes. Le réglage automatique de l'heure sera toujours activé lorsque la radio est allumée en mode de réception FM et capte une station RDS.

SONORITE

Appuyez sur la **touche Loudness** (Sonorité) pour obtenir une compensation dans les basses et hautes fréquences. L'effet sera plus audible lorsque la radio est réglée à un faible volume (Dynamic Loudness).

1. Appuyez sur la **touche ON/OFF** pour allumer la radio.
2. Appuyez sur la **touche Menu** et tournez le **bouton de Fréquence** jusqu'à ce que "System" soit affiché à l'écran.
3. Appuyez sur le **bouton de Fréquence** et tournez ensuite celui-ci jusqu'à ce que "Loudness" (Sonorité) soit affiché à l'écran.
4. Tournez le **bouton de Fréquence** pour sélectionner "Loudness On" ou "Loudness Off".
5. Appuyez ensuite sur le **bouton de Fréquence** pour confirmer votre sélection.

REGLAGE DE LA TONALITE

La fonction de **réglage de la tonalité (Tone)** vous permet d'ajuster le niveau des basses et des aigues en fonction de vos goûts personnels.

1. Appuyez sur la **touche ON/OFF** pour allumer la radio.
2. Appuyez sur le bouton de **Volume** pendant 3 sec. "BASS 0" (BASSES 0) sera alors affiché à l'écran.
3. Tournez le **bouton de Volume** pour régler les basses au niveau souhaité.
4. Appuyez sur le **bouton de Volume** pour confirmer. "TREBLE 0" (AIGUES 0) sera ensuite affiché à l'écran.
5. Tournez le **bouton de Volume** pour régler les aigues au niveau souhaité.
6. Appuyez sur le **bouton de Volume** pour confirmer votre sélection.

SELECTION DE LA LANGUE

La radio peut être réglée de façon à ce que l'affichage soit dans la langue de votre choix.

1. Appuyez sur la **touche ON/OFF** pour allumer la radio.
2. Appuyez sur la **touche Menu** et tournez le **bouton de Fréquence** jusqu'à ce que "System" soit affiché à l'écran.
3. Appuyez sur le **bouton de Fréquence** et tournez ensuite celui-ci jusqu'à ce que "Language" (Langue) soit affiché à l'écran.
4. Appuyez sur le **bouton de Fréquence** pour entrer dans le menu de sélection de la langue.
5. Tournez le **bouton de Fréquence** pour sélectionner la langue souhaitée. Le réglage standard est l'anglais.
6. Appuyez sur le **bouton de Fréquence** pour confirmer votre sélection.

VERSION DU LOGICIEL

Il n'est pas possible de modifier l'affichage de la version du logiciel. Cet affichage est donné uniquement à titre d'information. Il est cependant possible de voir la version du logiciel dans le menu DAB ou FM.

1. Appuyez sur la **touche ON/OFF** pour allumer la radio.
2. Appuyez sur la **touche Source** (touche de sélection de la source audio) pour sélectionner le mode FM ou DAB.
3. Appuyez sur la **touche Menu** et tournez le **bouton de Fréquence** jusqu'à ce que "System" soit affiché à l'écran.
4. Appuyez sur le **bouton de Fréquence** et tournez ensuite celui-ci jusqu'à ce que "SW version" (Version du logiciel) soit affiché à l'écran.
5. Appuyez sur le **bouton de Fréquence** pour voir la version du logiciel.
6. Appuyez de nouveau sur le **bouton de Fréquence** pour revenir au menu standard de la radio.

Remarque : Une mise à jour du logiciel ne doit être effectuée par un personnel qualifié.

REINITIALISATION DU SYSTEME

Lorsque la radio ou l'affichage ne fonctionne pas correctement ou en l'absence d'affichage, suivez la procédure ci-dessous.

1. Appuyez sur la **touche ON/OFF** pour allumer la radio.
2. Appuyez sur la **touche Menu** et tournez le **bouton de Fréquence** jusqu'à ce que "System" soit affiché à l'écran.
3. Appuyez sur le **bouton de Fréquence** et tournez ensuite celui-ci jusqu'à ce que "Factory reset" (Réglages d'usine) soit affiché à l'écran.

4. Appuyez sur le **bouton de Fréquence** et tournez ensuite celui-ci pour sélectionner "Yes" ("Oui") ou "No" ("Non").
5. Appuyez sur le **bouton de Fréquence** pour confirmer votre sélection.
6. Une réinitialisation complète de la radio sera alors effectuée. La mémoire de stations présélectionnées sera effacée et tous les réglages personnels seront annulés. Les réglages d'usine seront ensuite restaurés. Le message "Restarting" (BIENVENUE A LA RADIO NUMERIQUE) sera affiché à l'écran et la radio effectuera ensuite automatiquement un balayage de la plage de fréquences DAB et FM.

En cas de perturbations provoquées par une décharge électrostatique, procédez à la réinitialisation de la radio comme décrit ci-dessus. En cas d'échec, retirez la fiche du cordon d'alimentation de la prise de courant et enlevez les piles. Rebranchez ensuite le cordon d'alimentation et réinsérez les piles dans la radio.

"Sous l'environnement avec une perturbation de l'immunité conduite / Immunité rayonnée, l'échantillon peut mal fonctionner. Il se récupérera automatiquement à la normale lorsque la perturbation de l'immunité entraînée / l'immunité rayonnée s'est arrêtée."

ECLAIRAGE DE L'ECRAN

Configuration du rétro-éclairage de l'écran d'affichage LCD

1. Appuyez sur **la touche ON/OFF** pour allumer la radio.
2. Appuyez sur **la touche menu** puis tournez **le bouton du contrôle** de réglage jusqu'à ce que l'écran affiche « System ».
3. Appuyez sur **le bouton de Fréquence**; tournez **le bouton de Fréquence** jusqu'à ce que l'écran affiche « LCD backlight » (LCD éclairage).
4. Appuyez sur **le bouton de Fréquence** pour entrer dans le menu de réglage du rétro-éclairage de l'écran d'affichage LCD.
5. Tournez **le bouton de Fréquence** pour sélectionner « on » afin de garder le rétro-éclairage continuellement allumé lorsque la radio fonctionne sur secteur.
6. Ou tournez **le bouton de Fréquence** pour sélectionner « off » (par défaut) afin que lorsque vous utilisez la radio sur secteur, le rétro-éclairage reste allumé pendant environ 10 secondes à chaque fois que vous appuyez sur un bouton.
7. Appuyez sur **le bouton de Fréquence** pour confirmer votre choix.

Remarque: L'option de rétro-éclairage de l'écran LCD est seulement fonctionnelle sur « on » lorsque la radio fonctionne sur secteur. Lorsqu'elle fonctionne sur piles, l'option de rétro-éclairage de l'écran LCD est automatiquement sur « off » - 10 secondes d'éclairage de l'écran lorsqu'un bouton est pressé. Lorsque la radio est branchée à nouveau sur secteur, la dernière configuration choisie par l'utilisateur sera à nouveau appliquée.

GARANTIE

Ce produit est garanti pendant deux ans.

AVERTISSEMENT : LA GARANTIE PREND FIN LORSQUE LE BOITIER DE LA RADIO A ETE OUVERT OU LORSQUE LA RADIO A ETE MODIFIEE DE QUELQUE MANIERE QUE CE SOIT PAR L'UTILISATEUR FINAL.

La garantie de la radio ne couvre pas :

- Les dommages et le bris résultant d'une utilisation non correcte, d'un usage abusif, d'une négligence, de modifications, d'accidents ou de réparations non autorisées.
- L'usure normale en cours d'utilisation.
- Le bris ou la courbure excessive de l'antenne télescopique en métal.
- Les piles.

INFORMATIONS

Protection de l'environnement :



Ce produit est fabriqué avec des pièces et des matériaux de qualité, susceptibles d'être réutilisés et recyclés.

Lorsque ce produit a atteint la fin de sa vie utile, ne le jetez pas conséquemment pas avec les ordures ménagères ordinaires, mais confiez-le à un point de collecte et de recyclage d'appareils électriques et électroniques. Le symbole ci-contre figure à cet effet sur le produit, dans le mode d'emploi ainsi que sur l'emballage.

Veillez-vous informer auprès des autorités communales au sujet



FR

Alimentation électrique

Courant secteur : AC 230V, 50/60Hz, courant alternatif

Piles :

6 x 1,5V (Alcaline type IEC LR20 / UM-1 / format D) ou

6 x 1,2V (PerfectPro format D / HR20 / 1,2V 8000mAh NiMH piles rechargeables)

Piles de sauvegarde :

2 x 1,5V (Alcaline Type LR6 / UM-3 / format AA)

Consommation de courant (courant secteur)

Utilisation : < 47 W

Standby : < 1 W

Plage de fréquences

FM 88 – 108,0 MHz

DAB 174,928 – 239,200 MHz

Haut-parleur

Dimensions 2 x Ø 100mm

Résistance 8 ohms

Puissance de sortie

Nominale 2 x 10W

Entrée Aux in

Ø 3,5mm

Bluetooth

Version 4.1

Supports pour profils Bluetooth A2DP, AVRCP

2400-2483.5 MHz, max power <20 dBm

Sortie USB

Maximum 5V, 1A

La société se réserve le droit de modifier ces caractéristiques sans préavis.



Brand: Perfectpro

Product name: WORKSTATION

Art.nr.: WS3

ENG Declaration of Conformity

Prime Europe B.V. hereby declares that this model WS3 is in compliance with the essential requirements and other relevant provisions of Directive 2014/53/EU and also fulfills all the relevant provisions of EC/EU Directives: 2011/65/EU.

The EU declaration of conformity is available at the following internet address:

<http://www.perfectpro.nl/support/ce-docs/>

F Déclaration de conformité

Prime Europe B.V. déclare que ce modèle WS3 est conforme aux exigences essentielles et aux autres dispositions pertinentes de la directive 2014/53/EU et remplit toutes les dispositions pertinentes des directives CE/UE: 2011/65/UE.

La déclaration de conformité de l'UE est disponible à l'adresse Internet suivante:

<http://www.perfectpro.fr/supports/ce-docs/>

NL Conformiteitsverklaring

Prime Europe B.V. verklaart hierbij dat dit model WS3 voldoet aan de essentiële eisen en andere relevante bepalingen van richtlijn 2014/53/EU en ook voldoet aan de relevante bepalingen van de EG/EU-richtlijnen: 2011/65/EU.

De EU-conformiteitsverklaring is beschikbaar op het volgende internetadres:

<http://www.perfectpro.nl/support/ce-docs/>

DE Konformitätsarklärung

Prime Europe B.V. erklärt hiermit, dass dieses Modell WS3 den grundlegenden Anforderungen und anderen einschlägigen Bestimmungen der Richtlinie 2014/53/EU entspricht, und auch alle einschlägigen Bestimmungen der EG/EU-Richtlinien erfüllt: 2011/65/EU.

Die EU-Konformitätserklärung steht unter folgender Internetadresse zur Verfügung:

<http://www.perfectpro.de/support/ce-docs/>

Prime Europe B.V.

Everdenberg 9a, 4902 TT, Oosterhout, The Netherlands

DOC-EC2020-A1-WS3

