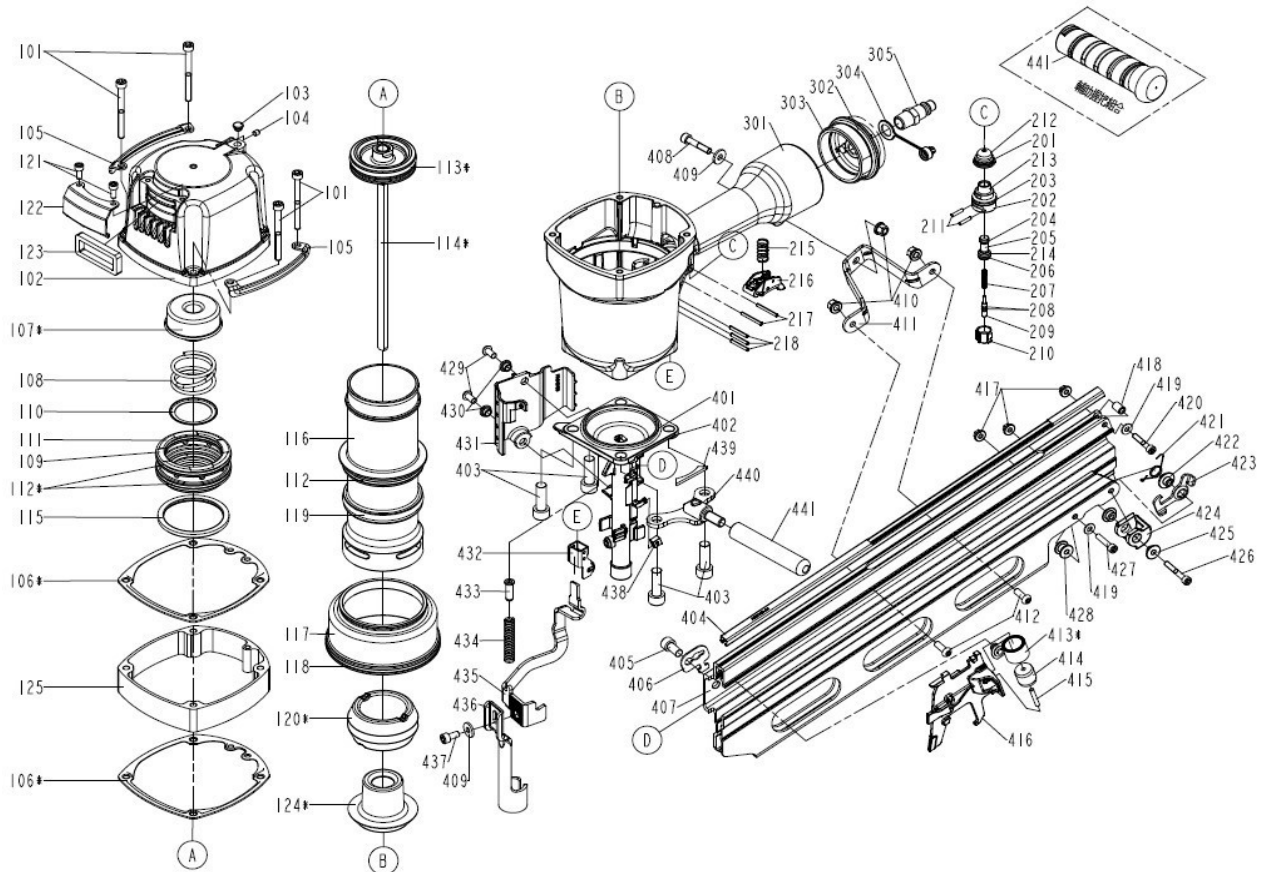


F 42/130 P1 (v2)



Repère	Code	Français	English	Deutsch
101	12B03295	Vis C HC M6-65	Hex.Soc.HD.Screw	Schraube
102	12B00527	Tête	Cap	Deckel
103	12B00479	Obturateur	Grommet	Verschluss
104	12B00205	Vis A HC M5-5	Hex.Soc.HD.Screw	Schraube
105	12B00542	Guide	Guide Cover	Deckelsführung
106*	12B00485	Joint de tête	Cylinder cap seal	Dichtung
107*	12B00529	Amortisseur de valve	Seal	Oberpuffer
108	12B00518	Ressort	Compression spring	Feder
109*	12B00562	Joint	O-ring	O-Ring
110	12B00537	Rondelle	Washer	Scheibe
111	12B00526	Valve	Head valve piston	Ventil
112*	12B00416	Joint	O-ring	O-Ring
113*	12B00554	Joint	O-ring	O-Ring
114	12B03296	Piston	Driver unit	Kolben
115	12B00543	Bague de valve	Collar	Ventilring
116	12B00758	Cylindre	Cylinder	Zylinder
117	12B00759	Bague de cylindre	Cylinder spacer	Zylinder ring
118	12B00560	Joint	O-ring	O-Ring
119	12B00563	Joint	O-ring	O-Ring
120	12B03297	Amortisseur A	Bumper A	Puffer A
121	12B00546	Vis C HC M5-12	Hex.Soc.HD.Screw	Schraube
122	12B00530	Défecteur	Deflector	Deflektor
123	12B00497	Silencieux	Muffler	Schalldämpfer
124	12B03298	Amortisseur B	Bumper B	Puffer B
125	12B00488	Entretoise	Cap	Zwischenteil
201	12B00556	Joint	O-ring	O-Ring
202	12B00532	Servo commande A	Plunger cap	Auslöseventilgehäuse
203	12B00213	Joint	O-ring	O-Ring
204	12B00212	Joint	O-ring	O-Ring
205	12B00502	Servo commande B	Valve plunger	Auslöseventil B

206	12B00209	Joint	O-ring	O-Ring
207	12B00534	Ressort	Spring	Feder
208	12B00561	Joint	O-ring	O-Ring
209	12B00533	Tige de servo commande	Plunger	Auslöseventilstift
210	12B00531	Couvercle de servo commande	Trigger valve head	Auslöseventildeckel
211	12B00496	Goupille	Pin	Stift
212	12B00535	Couvercle de servo commande B	Cover plunger	Auslöseventildeckel B
213	12B00557	Joint	O-ring	O-Ring
214	12B00565	Joint	O-ring	O-Ring
215	12B00384	Ressort	Spring	Feder
216	12B00483	Gâchette	Trigger unit	Auslöser
217	12B00552	Goupille	Spiral pins	Stift
218	12B00551	Goupille	Spiral pins	Stift
301	12B03299	Corps	Gun body	Gehäuse
302	12B00555	Joint	O-ring	O-Ring
303	12B01305	Couvercle	End cap	Deckel
304	12B00020	Bouchon	Dusty cover	Kappe
305	T023901	Raccord	Air plug	Anschluss
401	12B00559	Joint	O-ring	O-Ring
402	12B03277	Nez	Nose piece	Nase
403	12B00549	Vis C HC M10-30	Hex.soc.hd.bolt	Schraube
404	12B00777	Guide	Steel channel	Führung
405	12B00784	Vis C HC M8-16	Hex.soc.hd.bolt	Schraube
406	12B00770	Guide	Guide	Führung
407	12B00775	Magasin A	Magazine A	Magazin A
408	12B00781	Vis C HC M6-30	Hex.soc.hd.bolt	Schraube
409	12B00564	Rondelle	Flat washer	Scheibe
410	12B00567	Ecrou nilstop M6	Bolt cap	Mutter
411	12B00760	Support	Positioning sheet	Magazinträger
412	12B03167	Vis C HC M6-18	Half round hd.hex.bolt	Schraube
413*	12B00757	Ressort	Spring unit	Rollfeder
414	12B00645	Element roulant	Rollint element	Rolle
415	12B00788	Goupille	Pin	Stift
416	12B03300	Poussoir	Pusher	Kloben
417	12B00403	Ecrou Nilstop M5	Bolt cap	Mutter
418	12B00778	Entretoise	Latch spring bushing	Buchse
419	12B00787	Rondelle	Flat washer	Scheibe
420	12B00783	Vis C HC M5-28	Hex. Soc. Head bolt	Schraube
421	12B00761	Ressort	Latch spring	Feder
422	12B00773	Rondelle	Washer	Scheibe
423	12B00766	Loquet	Latch	Verschlusshebel
424	12B00769	Amortisseur	Feed Bumper	Puffer
425	12B00779	Entretoise	Feed bumper spacer ring	Zwischenteil
426	12B00782	Vis C HC M5-35	Hex. Soc. Head bolt	Schraube
427	12B00780	Vis C HC M5-25	Hex. Soc. Head bolt	Schraube
428	12B00765	Entretoise	Magazine spacer	Zwischenteil
429	12B00785	Vis B HC M6-12	Half round hd.hex.bolt	Schraube
430	12B00772	Entretoise	Protective insert	Buchse
431	12B00767	Couvercle	Spring cover	Deckel
432	12B00500	Guide	Safety guide	Sicherungsführung
433	12B00776	Goupille	Safety rod	Stift
434	12B00764	Ressort	Safety spring	Feder
435	12B03301	Sécurité B	Safety unit B	Sicherung B
436	12B03302	Sécurité A	Safety A	Sicherung A
437	12B02647	Vis C HC M6-12	Hex. Soc. Head bolt	Schraube
438	12B00768	Amortisseur	Feed Bumper	Puffer
439	12B00515	Protection	Rubber pad	Schutz
440	12B00482	Support de la poignée	Second handle base unit	Griffhalter
441	12B01248	Poignée	Handle	Griff