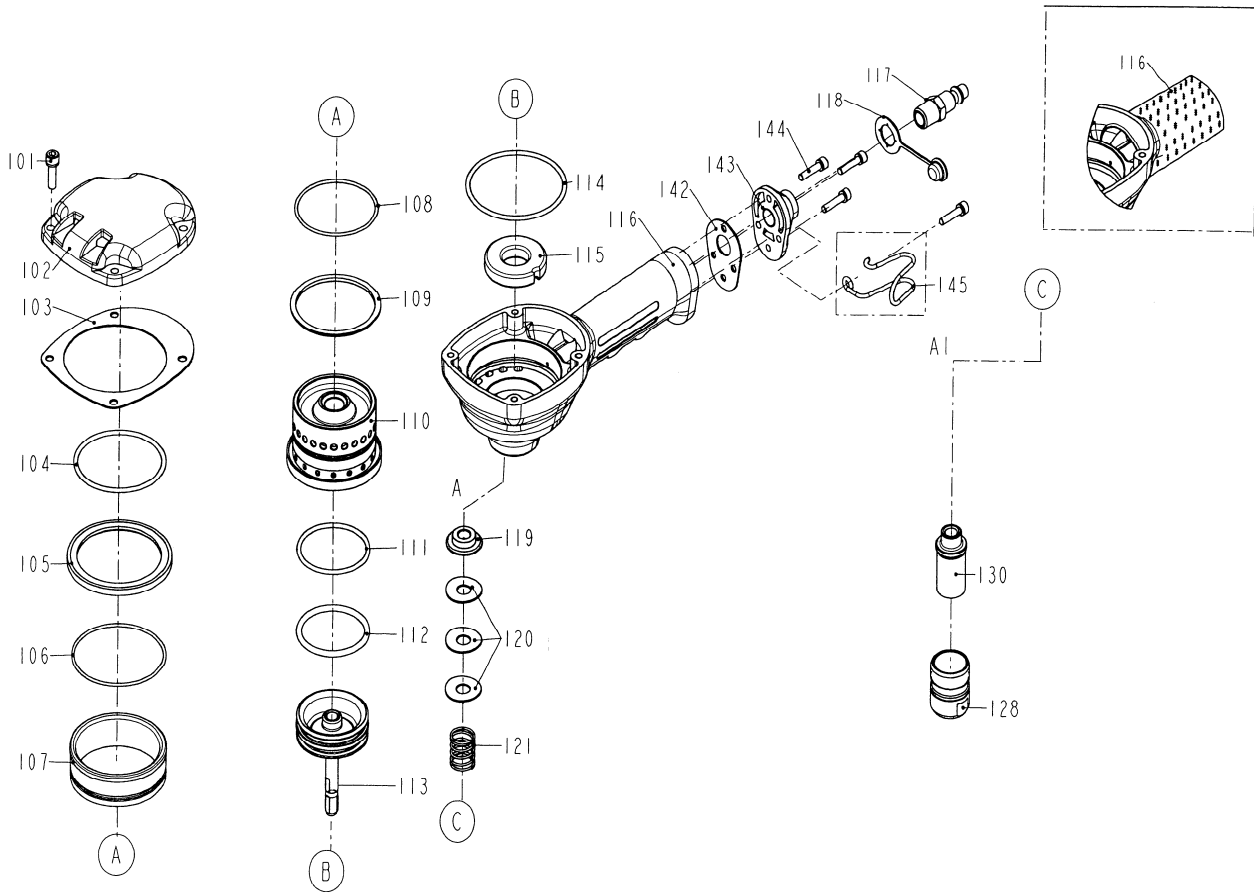


PN C2



Repère	Code	Français	English	Deutsch	Español	Romana
101	12B00312	kit vis	Screw kit	Schraube set	Tornillo kit	clips
102	12B00861	tête	Cap	Deckel	Tapa	Capac
103	12B00852	joint plat	O-ring	O-ring	Junta	Garnitura
104	12B00871	joint	O-ring	O-ring	Junta	Garnitura
105	12B00865	Bague	Ring	Ring	Manguito	Inel
106	12B00872	joint	O-ring	O-ring	Junta	Garnitura
107	12B00854	bague de cylindre	Cylinderring	Zylinder Ring	Manguito de cilindro	Inel de cilindru
108	12B00873	joint	O-ring	O-ring	Junta	Garnitura
109	12B00862	joint	O-ring	O-ring	Junta	Garnitura
110	12B00853	cylindre	cylinder	Zylinder	cilindro	Cilindru
111	12B00869	joint	O-ring	O-ring	Junta	Garnitura
112	12B00870	joint	O-ring	O-ring	Junta	Garnitura
113	12B00848	piston	Piston	Kolben	Piston	Piston
114	12B00874	joint	O-ring	O-ring	Junta	Garnitura
115	12B00855	amortisseur	Bumper	Puffer	amortiguador	Amortizor
116	12B00849	corps	Body	Gehäuse	Cuerpo	Corp
117	12B00847	raccord	Air plug	Anschluss	Empalme	Racord
118	12B00846	bouchon de raccord	Cap	Deckel	Tapon	Capac
119	12B00863	guide	guide	Führer	Guia	Ghidaj
120	12B00868	rondelle	Ring	Scheibe	Arandela	Saiba
121	12B00860	ressort	Spring	Feder	Muelle	Arc
128	12B00857	guide	guide	Führer	Guia	Ghidaj
129	12B00858	guide	guide	Führer	Guia	Ghidaj
130	12B00864	baguette	Stick	Zierleiste	Varilla	bagueta
132	12B00850	embout magnetique	Connector	Zwinge	Contera	Vârful
135	12B00851	embout magnetique	Connector	Zwinge	Contera	Vârful

144	12B00866	kit vis	Screw kit	Schraube set	Tornillo kit	clips
145	12B00867	crochet	Hook	Greifer	Gancho	Crosetat

130'	12B00892	Nez large	Nose	Nase	Morro	Nas
128'	12B00894	guide	guide	Führer	Guia	Ghidaj

130"	12B00893	Nez de finition	Nose	Nase	Morro	Nas
128"	12B00895	Guide	guide	Führer	Guia	Ghidaj

Caractéristique / Feature / Charakteristik / característica / caracteristică

PN C2	Modèle	Model	Gerät	Modelo	Model
Type / tip	Agrafeuse	Stapler	Hefter	Grapadora	Capsator
248 x 82 x 122	Dimension	Size	Abmessung	Medida	Dimensuini
1,20 kg	Poids	Weight	Gewicht	Peso	Greutate
4-8 Bar	Pression normale	Normal pressure	Normal druck	Presion normal	Presiune normal
0,22 l / coup	Consommation	Consumption	Verbrauch	Consumo	Consumare