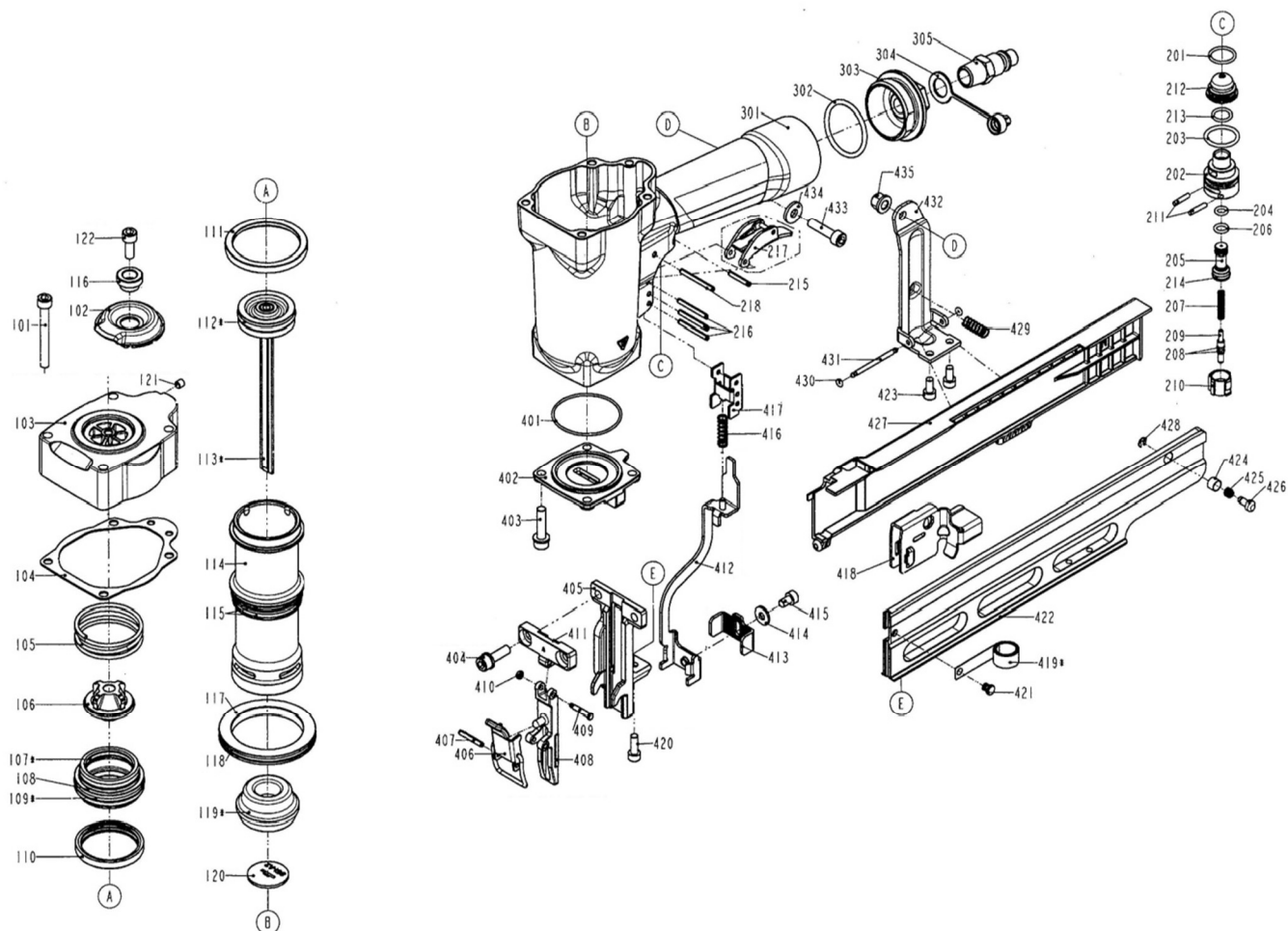


10/50 P2



Repère	Code	Français	English	Deutsch	Español	Romana
101	12B02186	Vis	screw	Schraube	Tornillo	Surub
102	12B00151	défecteur	deflector	Leitblech	Deflector	Deflector
103	12B02187	tête	Cap	Deckel	Tapa	Capac
104	12B02188	Tête de cylindre	Cylinder cap	Zylinderkopf	Culata	Chiulasa
105	12B00296	ressort	Spring	Feder	Muelle	Arc
106	12B02189	joint	O-ring	O-ring	Junta	Garnitura
107*	12B00321	joint	O-ring	O-ring	Junta	Garnitura
108	12B02190	Valve de piston	Piston valve	Kolbenventil	Valvula del piston	Valva Pistonului
109*	12B00323	joint	O-ring	O-ring	Junta	Garnitura
110	12B00310	Bague	Collar	Ring	Manguito	Inel
111	12B02191	anneau	Ring	Scheibe	Arandela	Saiba
112*	12B02217	joint	O-ring	O-ring	Junta	Garnitura
113	12B02192	guide	Driver unit	Führer	Guia	Ghidaj
114	12B02193	cylindre	cylinder	Zylinder	cilindro	Cilindru
115	12B00869	joint	O-ring	O-ring	Junta	Garnitura
116	12B02194	entretoise	Strut	Abstandshalter	Tirante	Spacer
117	12B02195	bague de cylindre	Cylinderring	Zylinder Ring	Manguito de cilindro	Inel de cilindru
118	12B00874	joint	O-ring	O-ring	Junta	Garnitura
119*	12B02218	amortisseur	Bumper	Puffer	amortiguador	Amortizor
120	12B01173	guide	Driver unit	Führer	Guia	Ghidaj
121	12B00205	Vis	screw	Schraube	Tornillo	Surub
122	12B02196	Vis	screw	Schraube	Tornillo	Surub
201	12B00556	joint	O-ring	O-ring	Junta	Garnitura
202	12B00532	Couvercle	Cover	Deckel	tapadera	Capac
203	12B00213	joint	O-ring	O-ring	Junta	Garnitura
204	12B00212	joint	O-ring	O-ring	Junta	Garnitura
205	12B00502	servo commande	Trigger valve head	Ventil	Cabeza de la valvula	Cap de valva

206	12B00565	joint	O-ring	O-ring	Junta	Garnitura
207	12B00534	ressort	Spring	Feder	Muelle	Arc
208	12B00561	joint	O-ring	O-ring	Junta	Garnitura
209	12B00533	Tige de servo cde	Plunger	Sauger	Ventosa	Ventuza
210	12B00531	servo commande	Trigger valve head	Ventil	Cabeza de la valvula	Cap de valva
211	12B00496	pivot	Pivot	Drehachse	Pivote	Pivot
212	12B00535	couvre servo cmde	Trigger valve head	Ventilsdeckel	Cabeza de la valvula	Cap de valva
213	12B00557	joint	O-ring	O-ring	Junta	Garnitura
214	12B00209	joint	O-ring	O-ring	Junta	Garnitura
215	12B01876	Goupille	Pin	Stift	Clavija	Zavor
216	12B00552	Goupille	Pin	Stift	Clavija	Zavor
217	12B02197	gâchette	Trigger	Drücker	Gatillo	Opritor
218	12B02198	Goupille	Pin	Stift	Clavija	Zavor
301	12B02199	corps	Body	Gehäuse	Cuerpo	Corp
302	12B01966	joint	O-ring	O-ring	Junta	Garnitura
303	12B02200	Couvercle	Cover	Deckel	tapadera	Capac
304	12B00020	protection plastique	Plastic protection	Kunststoffschrürze	Proteccion plastico	Protectile
305	12B00019	raccord	Air plug	Anschluss	Empalme	Racord
401	12B00840	joint	O-ring	O-ring	Junta	Garnitura
402	12B02201	base	base	Base	Base	Baza
403	12B02202	Vis	screw	Schraube	Tornillo	Surub
404	12B01152	kit vis	Screw kit	Schraube set	Tornillo kit	clips
405	12B02203	Plaque de guidage	Back plate	Führungsplatte	Gatillo	Opritor
406	12B02204	Loquet	Lock handle unit	Verschlusshebel	Clavija	Zavor
407	12B02205	Goupille	Pin	Stift	Clavija	Zavor
408	12B02206	plaque avant A	Drive guide cover A	schaltlatt A	placa A	placa A
409	12B01166	Goupille	Pin	Stift	Clavija	Zavor
410	12B00096	circilps	circlips	Sicherungsring	Tuerca	Piulita
411	12B01171	plaque avant B	Drive guide cover B	schaltlatt B	placa B	placa B
412	12B02207	sécurité B	Safety B	Sicherheit B	Seguridad B	Sigurante
413	12B02208	sécurité A	Safety A	Sicherungeinheit	Unidad de seguridad	Sigurante
414	12B00206	rondelle	Ring	Scheibe	Arandela	Saiba
415	12B02209	Vis	screw	Schraube	Tornillo	Surub
416	12B00164	Ressort de sécurité	Safety spring	sicherungsFeder	Muelle de seguridad	Arc de siguranta
417	12B02210	guide sécurité	Safety guide	Sicherheitfuhung	Guia de seguridad	Guidaj de sigurante
418	12B01156	poussoir	trigger	Ausloser	pulsador	secundor
419	12B01020	ressort	Spring	Feder	Muelle	Arc
420	12B00203	kit vis	Screw kit	Schraube set	Tornillo kit	clips
421	12B02211	Goupille	Pin	Stift	Clavija	Zavor
422	12B02212	magasin A	Magazine A	Magazin A	Almacen A	Magazie A
423	12B01736	Vis	screw	Schraube	Tornillo	Surub
424	12B02214	corps	Body	Gehäuse	Cuerpo	Corp
425	12B00937	ressort	Spring	Feder	Muelle	Arc
426	12B00936	locquet	Latch	locquet	Picaporte	Clips
427	12B02215	ressort	Spring	Feder	Muelle	Arc
428	12B00056	circilps	circlips	Sicherungsring	Tuerca	Piulita
429	12B00931	Ressort de sécurité	Safety spring	sicherungsFeder	Muelle de seguridad	Arc de siguranta
430	12B01086	joint	O-ring	O-ring	Junta	Garnitura
431	12B00947	Goupille	Pin	Stift	Clavija	Zavor
432	12B02216	Support	Support	Support	Soporte	Echer
433	12B00468	Vis	screw	Schraube	Tornillo	Surub
434	12B00564	rondelle	Ring	Scheibe	Arandela	Saiba
435	12B00567	écrou	Screw nut	Mutter	Tuerca	Piulita
*	12B03041	Kit joint	O-ring kit	O-Ring Kit		
#	12B02509	Servo-cde complet	Trigger valve kit	Auslöseventil kpl.		
Option	12B00483	Gâchette coup/coup				
Option	12B00384	Ressort pour gâch. C/C				