

Manuale d'uso, manutenzione e parti di ricambio	Parte 2
Use, maintenance and spare parts manual	Part 2
Gebrauchsanweisung, Instandhaltungsrichtlinien und Ersatzteile	Teil 2
Manuel d'utilisation, entretien et pièces de rechange	Partie 2
Manual de uso, mantenimiento y repuestos	Part 2
Εγχειρίδιο χρήσης, συντηρησης και ανταλλακτικών	2° Μέρος
Manual de utilização, manutenção e partes sobresselentes	Parte 2
Handleiding voor gebruik, onderhoud en wisselstukken	Deel 2
Brugsanvisning, vedligeholdelse og reservedelsliste	Del 2



P 590/38 P2

cod. 1559038RF



Warning: Please read the instructions and warnings for this tool carefully before use. Failure to do so could lead to serious injury.

Dati tecnici Technical data Technische daten	Données techniques Datos técnicos Τεχνικά χαρακτηριστικά	Dados técnicos Technischegegevens Teknisk data
---	---	---

Misure impiegabili mm Usable lengths mm Benutzbare Längen mm	Mesures utilisables mm Medidas que se pueden emplear mm Διαστάσεις σε μμ	Medidas que se podem utilizar mm Te gebruiken lengtes in mm Brugbare længder i mm	18÷38
Capacità caricatore n° punti Magazine capacity No. of fasteners Magazinkapazität Nägel	Capacité chargeur n° de points Capacidad cargador n° puntos Δυνατότητα γεμιστάρια, συνδέσμοι	Capacidade carregador n° pontos Capaciteit magazijn in aantal spijkers Kapacitet af magasin antal klemme	130
Pressione d'esercizio Working pressure Betriebsdruck	Pression de fonctionnement Presión de trabajo Πίεση λειτουργίας ατμ.	Pressão de trabalho Werkdruk Arbejds tryk bar	5÷ 7,5 bar 70÷105 psi
Consumo aria litri/colpo Air consumption litres/shot Luftverbrauch Liter/Schlag	Consommation air litre/coup Consumo aire-litros/golpe Κατανάλωση αέρα λίτρα/επιπέταμα	Consumo ar litro/golpe Luchtverbrauch liter/schot Luftforbrug liter/skud	0,75
Peso kg Weight kg Gewicht kg	Poids kg Peso kg Βαρος kg	Peso kg Gewicht in kg Vægt kg	2,70
Dimensioni (AxBxH) mm Dimensions mm Größe mm	Dimension mm Dimensiones mm Δυνατότητα γεμιστάρια , συνδέσμοι	Dimensões mm Åfmetingen in mm Dimensioner mm	345x77x258

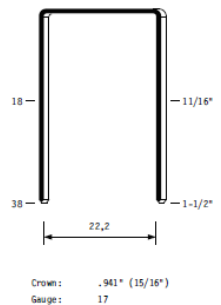
EN 12549:1999 ISO 11201 :1995		
Pressione sonora in pos. operatore Sound pressure at the workstation Lärmintensität am Arbeitsplatz	Pression acoustique près de l'opérateur Presión sonora en posición encargado Ακουστική πίεση στη θέση χειριστού	Intensidade sonora perto do operador Geluidssterkte op de werkplek lydstyrke på operatørposten
		86,1 dB(A)

EN 12549:1999 ISO 3744 :1994		
Potenza sonora emessa Emitted sound power Ausgestrahlte Lärmintensität	Puissance acoustique émise Potencia sonora emitida Ακουστική ισχύς	Potência sonora emitida Uitgestraalde geluidssterkte Udsendt lydstyrke
		94,9 dB(A)

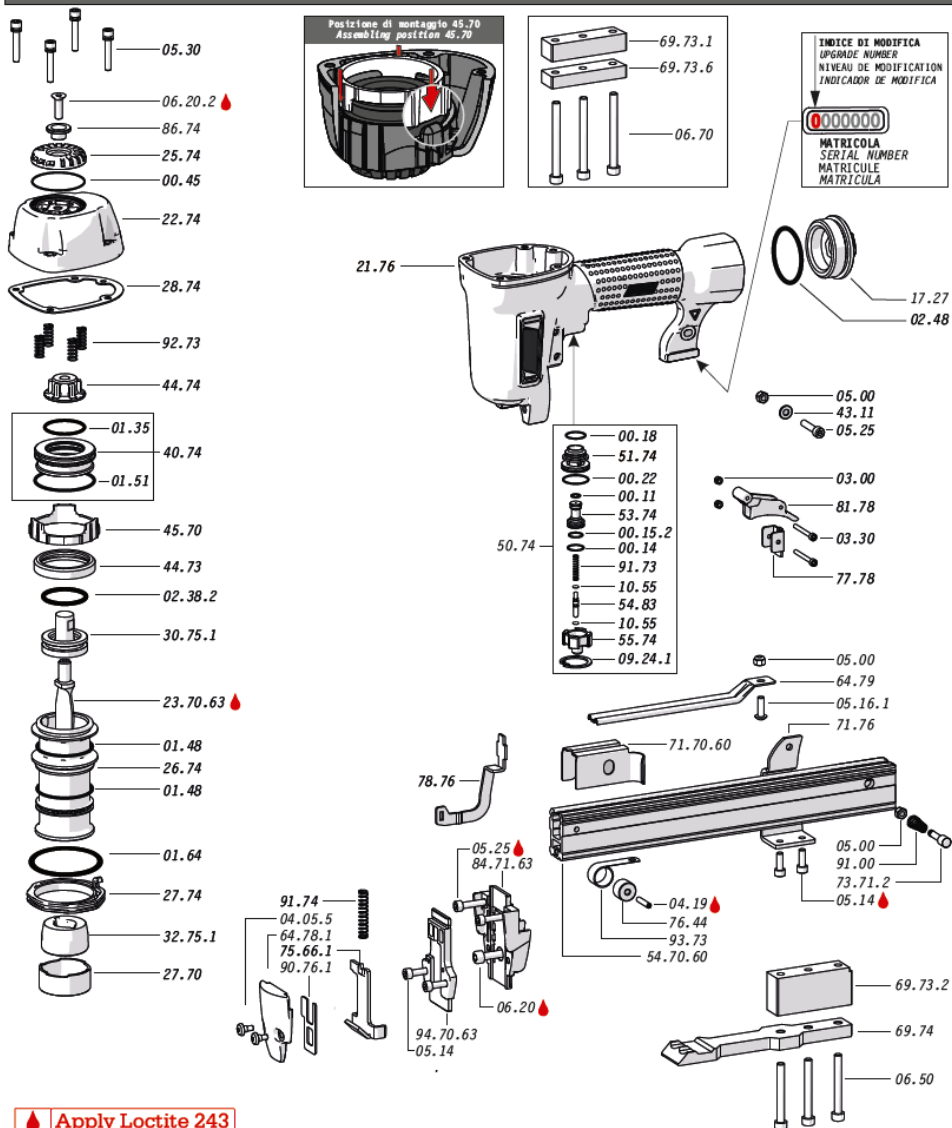
EN 28662:1992 ISO 5349 :1986 ISO 8662 - 11		
Valore medio ponderato di vibrazione sull'impugnatura max.33 colpi Weighted mean value of vibration on the grip max.33 shots Mittler Vibrationswert, am Griff gemessen max.33 Schläge	Valour moyenne pondérée de vibration mesurée sur la poignée max.33 coups Valor medio ponderado de vibracion medida en la empuñadura max.33 golp Μέσο ορισ μετρηση σ κραδασμοιν στη ζαρολαβη μαξ.33 ζεπιπεταμα	Valor medio ponderado de vibracao medida no punho max.33 golpes Gewogen gemiddelde vibratiewaarde max.33 schot Middelvaerdi af vibrationer pa handtaget max.33 skud
		2,6 m/s²

JK 590

☐ 0,85x1,80

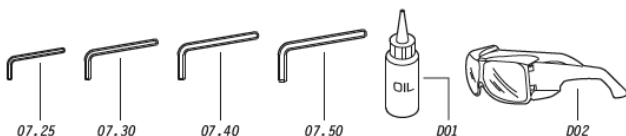


Parti di ricambio - Spare parts - Ersatzteile - Pièces de rechange - Piezas de repuesto
Ανταλλακτικά - Partes sobresselentes - Wisselstukken - Reservedede



Apply Loctite 243

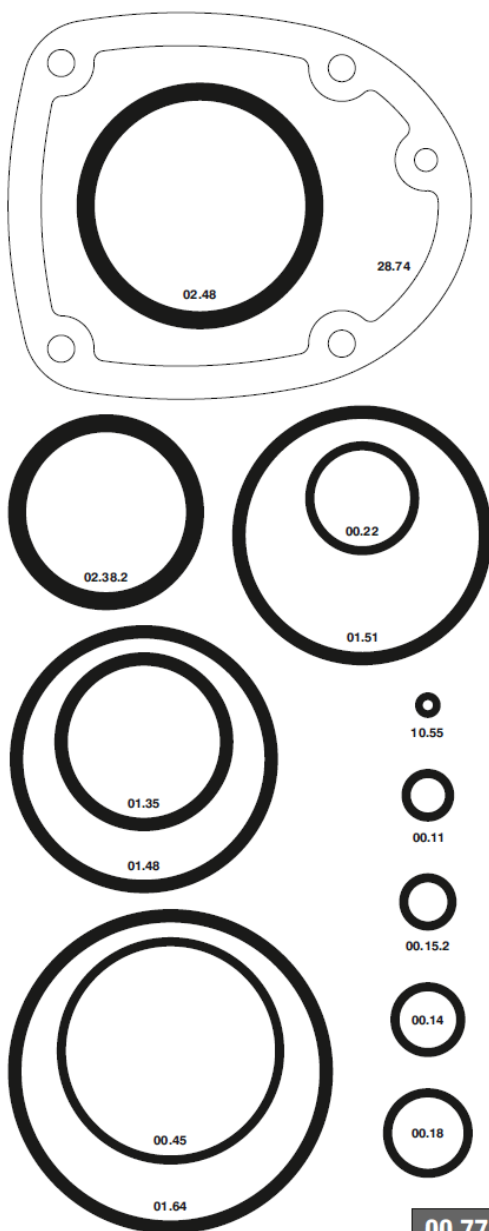
Dotazioni - Equipment - Ausrüstung - Équipements - Equipamiento - Παρεχόμενα
Equipamento - Uttrusting - Udstyr



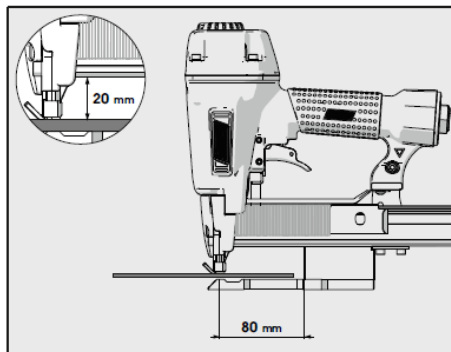
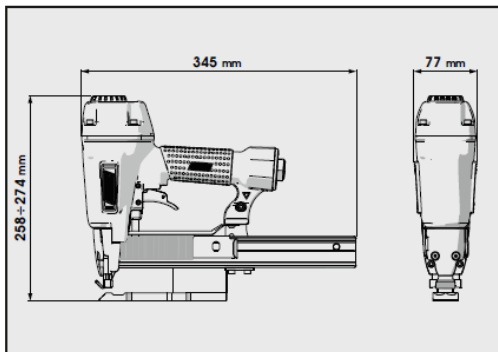
P 590/38 P2

Cod.	Descrizione	Description
00.11	O-Ring	O-Ring
00.14	O-Ring	O-Ring
00.15.2	O-Ring	O-Ring
00.18	O-Ring	O-Ring
00.22	O-Ring	O-Ring
00.45	O-Ring	O-Ring
01.35	O-Ring	O-Ring
01.48	O-Ring	O-Ring
01.51	O-Ring	O-Ring
01.64	O-Ring	O-Ring
02.38.2	O-Ring	O-Ring
02.48	O-Ring	O-Ring
03.00	Dado	Nut
03.30	Vite	Screw
04.05.5	Vite	Screw
04.19	Vite	Screw
05.00	Dado	Nut
05.14	Vite	Screw
05.16.1	Vite	Screw
05.25	Vite	Screw
05.30	Vite	Screw
06.20	Vite	Screw
06.20.2	Vite	Screw
06.70	Vite	Screw
06.50	Vite	Screw
07.25	Chiave esagonale	Hex bar wrench
07.30	Chiave esagonale	Hex bar wrench
07.40	Chiave esagonale	Hex bar wrench
07.50	Chiave esagonale	Hex bar wrench
09.24.1	Anello elastico	Elastic ring
10.55	O-Ring	O-Ring
17.27	Tappo	Inlet cap
21.76	Corpo	Body
22.74	Testa	Head
25.74	Deflettore scarico	Exhaust deflector
26.74	Cilindro	Cylinder
27.70	Anello	Ring
27.74	Anello cilindro	Cylinder ring
28.74	Guarnizione testa	Head gasket
30.75.1	Pistone	Piston
32.75.1	Ammortizzatore	Bumper
40.74	Valvola completa	Valve assembled
43.11	Rondella	Washer
44.73	Guarnizione cilindro	Cylinder gasket
44.74	Ammortizzatore sup.	Upper bumper
45.70	Distanziale	Spacer
50.74	Pulsante completo	Trigger valve assy
51.74	Boccola servovalvola	Servo valve bushing
53.74	Pistone servovalvola	Servo valve piston
54.83	Pulsante	Trigger valve
55.74	Raccordo pulsante	Trigger valve bush
64.78.1	Carter sicura	Safety guard
64.79	Carter	Hold down
69.73.1	Distanziale	Spacer
69.73.2	Distanziale	Spacer
69.73.6	Distanziale	Spacer
69.74	Ribattitore	Reverter
71.76	Reggicaricatore	Support
73.71.2	Perno	Pin
75.66.1	Sicura	Safety
76.44	Rullo molla	Roller
77.78	Guida sicura	Safety guide
78.76	Rinvio sicura	Safety rod
81.78	Grilletto comando BF	BF Trigger
86.74	Boccola	Bushing
90.76.1	Piastra	Plate
91.00	Molla	Spring
91.73	Molla	Spring
91.74	Molla	Spring
92.73	Molla	Spring
93.73	Molla	Spring
23.70.63	Battente	Driver
54.70.60	Caricatore	Magazine
71.70.60	Spingipunto	Pusher
84.71.63	Controtestina	Nose
94.70.63	Testina	Nose plate
D01	Bocchetta olio	Oiler
D02	Occhiali protettivi	Protective goggles

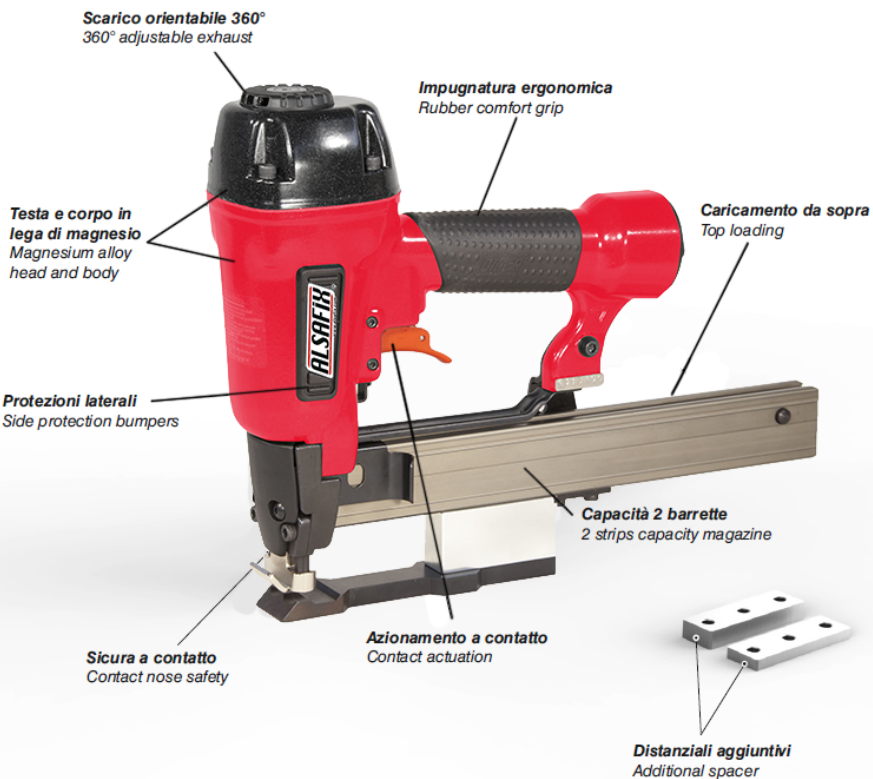
Guarnizioni - O-Rings - Dichtungen - Joints - Kit O-Rings - Λαστιχάκια - Kit O-Rings - O-ringen - Pakninger



Dati tecnici - Technical data

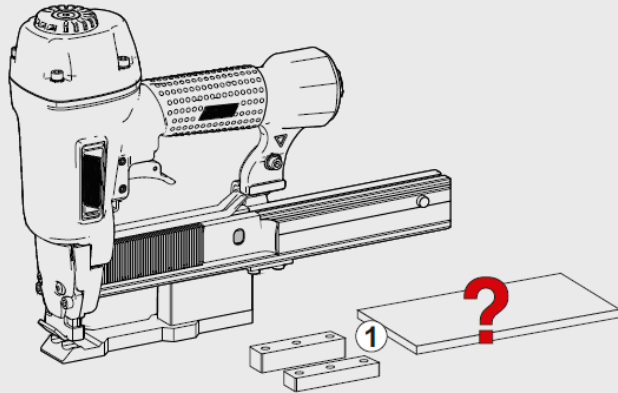


Caratteristiche - Features



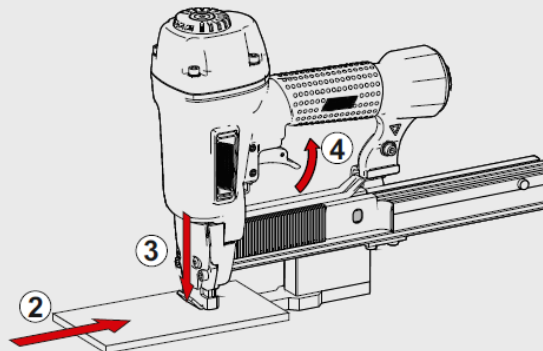
Azionamento - Actuation

Azionamento a contatto
Contact actuation

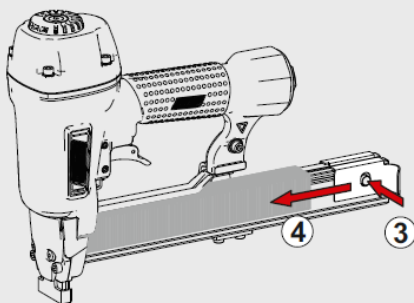
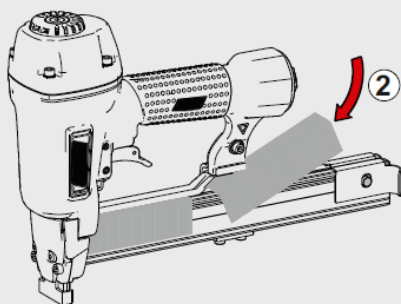
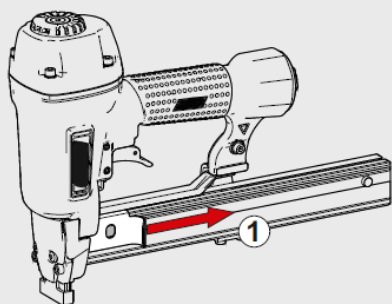


H: 11 mm 7/16"		H: 17 mm 11/16"		H: 21 mm 27/32"		H: 27 mm 1-3/32"	
18 mm 11/16"	6+10 mm 1/4"+3/8"	22 mm 7/8"	11+16 mm 7/16"+5/8"	25 mm 1"	15+18 mm 5/8"+11/16"	32 mm 1-1/4"	21+24 mm 13/16"+15/16"
20 mm 13/16"	6+10 mm 1/4"+3/8"	25 mm 1"	13+16 mm 1/2"+5/8"	28 mm 1-1/8"	16+19 mm 5/8"+3/4"	35 mm 1-3/8"	23+26 mm 29/32"+1"
22 mm 7/8"	8+10 mm 5/16"+3/8"	28 mm 1-1/8"	13+16 mm 1/2"+5/8"	30 mm 1-3/16"	18+19 mm 11/16"+3/4"	38 mm 1-1/2"	26+27 mm 1"+1-1/16"
		30 mm 1-3/16"	14+16 mm 9/16"+5/8"	32 mm 1-1/4"	20 mm 3/4"		
		32 mm 1-1/4"	16 mm 5/8"				

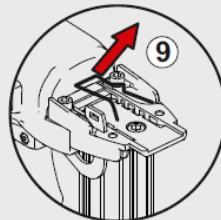
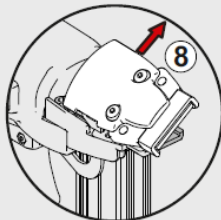
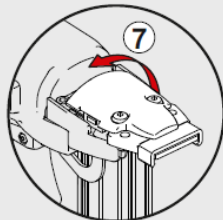
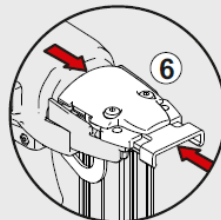
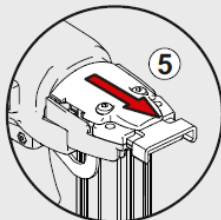
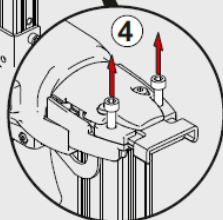
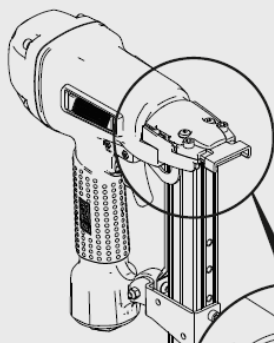
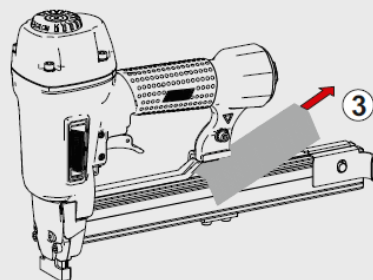
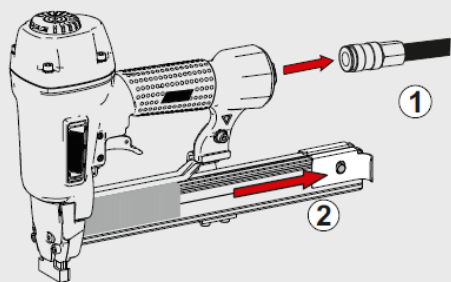
①



Caricamento - Loading



Disinceppamento - Jam clearing



8



4

