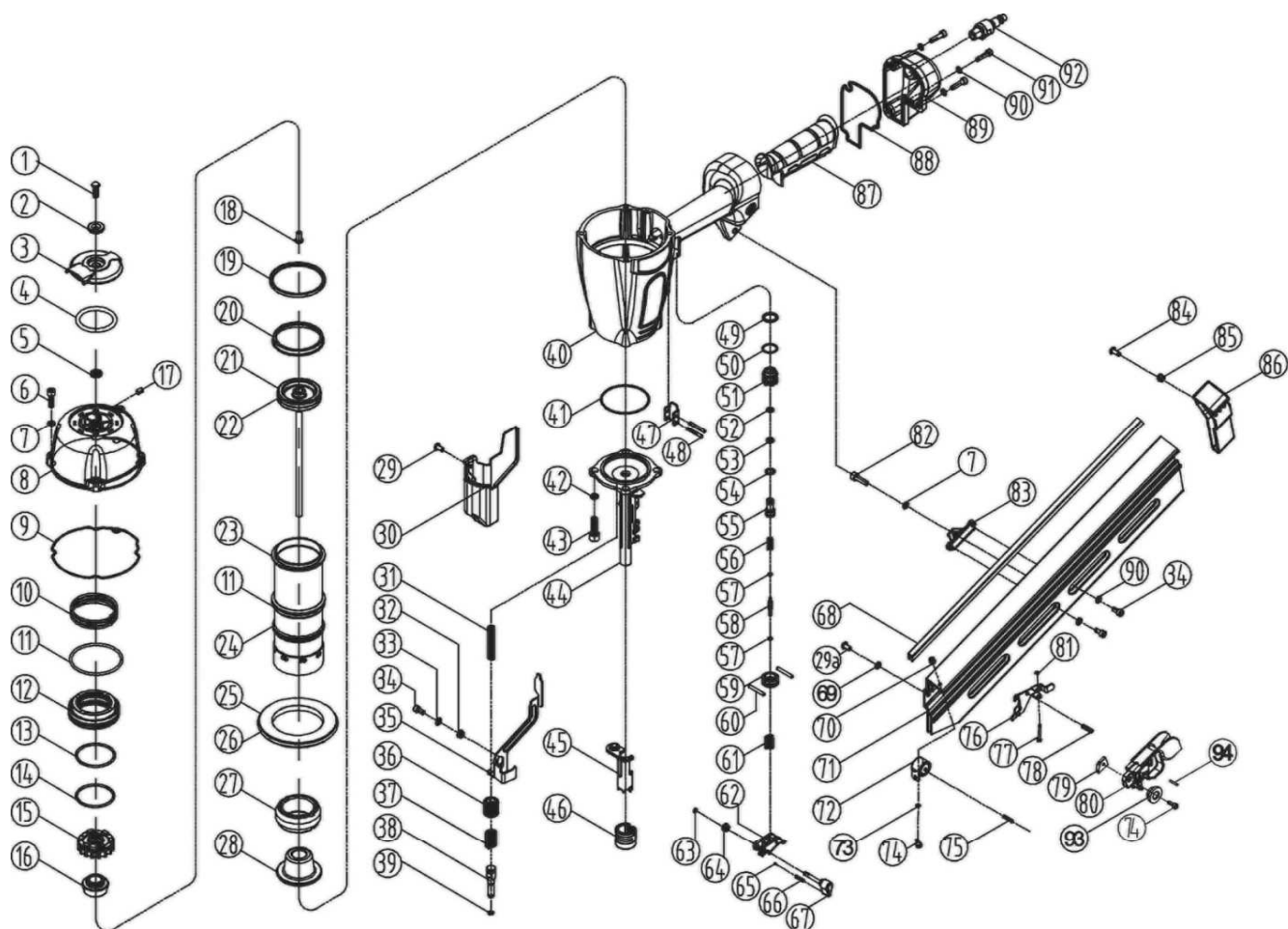


D 38/100 P1



Repère	Code	Français	English	Deutsch	Español	Romana
1	126C0001	Vis	screw	Schraube	Tornillo	Surub
2	126C0002	Bague	Collar	Ring	Manguito	Inel
3	126C0003	Couvercle	Cover	Deckel	tapadera	Capac
4	126C0004	Joint	O-ring	O-ring	Junta	Garnitura
5	126C0005	Joint	O-ring	O-ring	Junta	Garnitura
6	126C0006	Vis	screw	Schraube	Tornillo	Surub
7	126C0007	Ressort	Spring	Feder	Muelle	Arc
8	126C0008	Tête de cylindre	Cylinder cap	Zylinderkopf	Culata	Chiulasa
9	126C0009	Joint	O-ring	O-ring	Junta	Garnitura
10	126C0010	Ressort	Spring	Feder	Muelle	Arc
11	126C0011	Joint	O-ring	O-ring	Junta	Garnitura
12	126C0012	Valve	Valve	Ventil	Valvula	Valva
13	126C0013	Joint	O-ring	O-ring	Junta	Garnitura
14	126C0014	Joint	O-ring	O-ring	Junta	Garnitura
15	126C0015	Siège de soupape	Valve Seat			
16	126C0016	Arrêt	Shaft	Stoppen	Parada	Opritor
17	126C0017	Vis	screw	Schraube	Tornillo	Surub
18	126C0018	Vis	screw	Schraube	Tornillo	Surub
19	126C0019	Collier	Collar	Ring	Manguito	Inel
20	126C0020	Tête de cylindre	Cylinder cap	Zylinderkopf	Culata	Chiulasa
21	126C0021	Joint	O-ring	O-ring	Junta	Garnitura
22	126C0095	Ensemble piston	Piston	Kolben	Piston	Piston
23	126C0023	Cylindre	cylinder	Zylinder	cilindro	Cilindru
24	126C0024	Joint	O-ring	O-ring	Junta	Garnitura
25	126C0025	Plaque	Drive guide cover	schaltlatt	placa	placa
26	126C0026	Joint	O-ring	O-ring	Junta	Garnitura
27	126C0027	Amortisseur A	Bumper A	Puffer A	amortiguador A	Amortizor A
28	126C0028	Amortisseur B	Bumper B	Puffer B	amortiguador B	Amortizor B
29	126C0029	Vis	screw	Schraube	Tornillo	Surub

29a	126C0029a	Vis	screw	Schraube	Tornillo	Surub
30	126C0030	Ptotection	Protection	Sicherheit	Proteccion	Sigurante
31	126C0031	Ressort	Spring	Feder	Muelle	Arc
32	126C0032	Bague	Collar	Ring	Manguito	Inel
33	126C0033	Ressort	Spring	Feder	Muelle	Arc
34	126C0034	Vis	screw	Schraube	Tornillo	Surub
35	126C0096	Support de sécurité A	Safety support A	Sicherheitsupport A	Soporte de seg. A	Echer A
36	126C0036	Ajusteur	Adjust axie	Achseanpassung	Eje de Ajuste	Axa de ajustaje
37	126C0037	Ressort	Spring	Feder	Muelle	Arc
38	126C0038	Ajusteur	Adjust axie	Achseanpassung	Eje de Ajuste	Axa de ajustaje
39	126C0039	Rondelle	Ring	Scheibe	Arandela	Saiba
40	126C0040	Corps	Body	Gehause	Cuerpo	Corp
41	126C0041	Joint	O-ring	O-ring	Junta	Garnitura
42	126C0042	Ressort	Spring	Feder	Muelle	Arc
43	126C0043	Vis	screw	Schraube	Tornillo	Surub
44	126C0097	Nez	Nose	Nase	Morro	Nas
45	126C0045	Support de sécurité B	Safety support B	Sicherheitsupport B	Soporte de seg. B	Echer B
46	126C0046	Couvercle	Cover	Deckel	tapadera	Capac
47	126C0047	Guide sécurité	Safety guide	Sicherheitfuehrung	Guia de seguridad	Guidaj de sigurante
48	126C0048	Goupille	Pin	Stift	Clavija	Zavor
49	126C0049	Joint	O-ring	O-ring	Junta	Garnitura
50	126C0050	Joint	O-ring	O-ring	Junta	Garnitura
51	126C0051	Ensemble soupape	Valve	Ventil	Valvula	Valva
52	126C0052	Joint	O-ring	O-ring	Junta	Garnitura
53	126C0053	Joint	O-ring	O-ring	Junta	Garnitura
54	126C0054	Joint	O-ring	O-ring	Junta	Garnitura
55	126C0055	servo commande	Trigger valve head	Ventil	Cab. de la valvula	Cap de valva
56	126C0056	Ressort	Spring	Feder	Muelle	Arc
57	126C0057	Joint	O-ring	O-ring	Junta	Garnitura
58	126C0058	Tige servo-commande	Trigger Valve Stem	Stängel	Varilla	Regleta
59	126C0059	Guide gâchette	Driver unit	Führer	Guia	Ghidaj
60	126C0060	Goupille	Pin	Stift	Clavija	Zavor
61	126C0061	Ressort	Spring	Feder	Muelle	Arc
62	126C0062	Ensemble gâchette	Trigger	Drücker	Gatillo	Opritor
63	126C0063	Rondelle	Ring	Scheibe	Arandela	Saiba
64	126C0064	Bague	Collar	Ring	Manguito	Inel
65	126C0065	Roulement	Bearing	Radlager	Rodamiento	Rulant
66	126C0066	Ressort	Spring	Feder	Muelle	Arc
67	126C0067	Goupille	Pin	Stift	Clavija	Zavor
68	126C0098	Rail	Rail	Rail	Rail	Rail
69	126C0069	Rondelle	Ring	Scheibe	Arandela	Saiba
70	126C0070	Ecrou	Screw nut	Mutter	Tuerca	Piulita
71	126C0099	Magasin	Magazine	Magazin	Almacen	Magazie
72	126C0072	Ressort	Spring	Feder	Muelle	Arc
73	126C0073	Rondelle	Ring	Scheibe	Arandela	Saiba
74	126C0074	Vis	screw	Schraube	Tornillo	Surub
75	126C0075	Goupille	Pin	Stift	Clavija	Zavor
76	126C0100	Poussoir	Feeder Shoe	Ausloser	pulsador	secundor
77	126C0077	Goupille	Pin	Stift	Clavija	Zavor
78	126C0078	Ressort	Spring	Feder	Muelle	Arc
79	126C0101	Bloc	Block	Anschlussblock	Bloque de conexión	conexiune bloc
80	126C0080	Support chargeur	Feeder Bracket	Support	Soporte	Echer
81	126C0081	Rondelle	Ring	Scheibe	Arandela	Saiba
82	126C0082	Vis	screw	Schraube	Tornillo	Surub
83	126C0102	Support	Support	Support	Soporte	Echer
84	126C0084	Vis	screw	Schraube	Tornillo	Surub
85	126C0085	Ecrou	Screw nut	Mutter	Tuerca	Piulita
86	126C0103	Couvercle magasin	Cover	Deckel	tapadera	Capac
87	126C0087	Manche	Shaft	Griff	Mango	Manipula
88	126C0088	Joint	O-ring	O-ring	Junta	Garnitura
89	126C0089	Couvercle	Cover	Deckel	tapadera	Capac
90	126C0090	Rondelle	Ring	Scheibe	Arandela	Saiba
91	126C0091	Vis	screw	Schraube	Tornillo	Surub
92	126C0104	Raccord	Air plug	Anschluss	Empalme	Racord
93	126C0093	Bague	Collar	Ring	Manguito	Inel
94	126C0094	Ressort	Spring	Feder	Muelle	Arc